



**Terminals &
Connectors**

Ring Terminals



**Lear Corporation China Technical Center
Lear Automotives Systems (Yangzhou) Co., Ltd**

LEAR Corporation is one of the leading suppliers of the automotive industry of electric wiring systems, vehicle electronics and connector technology. New products and technologies are developed by specialists in competence centers throughout the world.

As a business unit Terminals & Connectors within the LEAR corporation, we are one of the leaders in connector technology and one of the most important manufacturers in this market segment. Under the LEAR trademark, we develop, manufacture and sell electromechanical components: Terminals, housings, power distribution boxes, fuse boxes and other products.

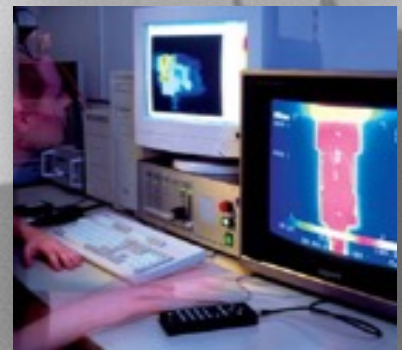
The development of new connector systems often runs parallel to a customer's development of a new product. This process involves a high level of financial commitment over a long period of time. Basic research is an important main requirement for new and further development of our connector systems and their further processing.

At LEAR, quality begins in the planning and development phase and is pursued through all stages of production up to the finished product which is ready for dispatch. This means that we have an integral understanding of quality. It encompasses all organizational and functional areas. Six Sigma and Design for Six Sigma (DFSS) are introduced in all areas and applied consistently.

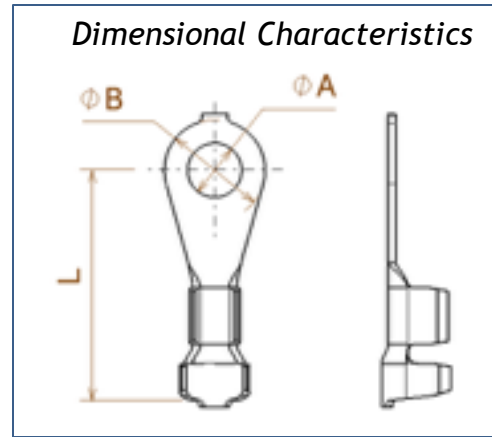
LEAR offers top-quality connection possibilities for a vast number of applications. They fulfill their tasks in an extremely wide range of applications: in automobiles, domestic appliances, in industrial open-and-closed-loop controls, in telecommunications and in home entertainment electronics.

This Catalog has been designed with our customer in mind, and with component selection focus. In partnership with our customers, we have been able to anticipate their needs for reliable and cost-effective connection systems.

Thank you for considering LEAR Terminals & Connectors system as your connection system supplier.



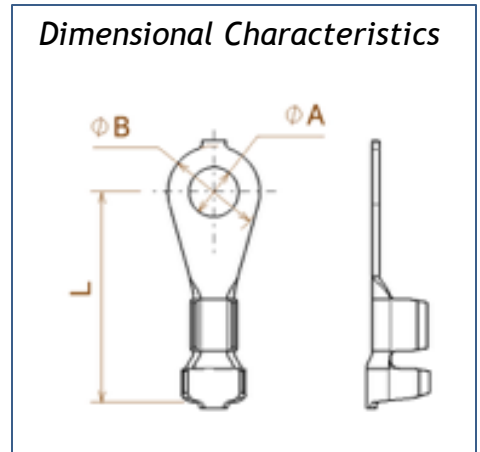
Ring Terminals



Part Number List-

| Bolt Size | Lear T&C Part Number | Lear SEM Part Number | Wire Size Range (mm ²) | Dim A (mm) | Dim B (mm) | Dim L (mm) | Material Thickness (mm) | Material | Surface | Bended | Delivery Condition |
|-----------|----------------------|----------------------|------------------------------------|------------|------------|------------|-------------------------|----------|---------|--------|--------------------|
| M3 | 25201123009 | 320151FAA | 0.5-1.0 | 3.2 | 8.0 | 18.3 | 0.6 | Brass | Blank | 0° | CF |
| M3 | 05201123003 | --- | 0.5-1.0 | 3.2 | 8.0 | 18.3 | 0.6 | Brass | Blank | 0° | LP |
| M3 | 05201123011 | 320151FA3 | 0.5-1.0 | 3.2 | 8.0 | 18.3 | 0.6 | Brass | Sn | 0° | LP |
| M3 | 25213123009 | E01811900 | 1.0-2.5 | 3.2 | 8.0 | 18.3 | 0.6 | Brass | Blank | 0° | CF |
| M3 | 05213123003 | E01812300 | 1.0-2.5 | 3.2 | 8.0 | 18.3 | 0.6 | Brass | Blank | 0° | LP |
| M3.5 | 25344123009 | ---- | 1.0-2.5 | 3.8 | 8.0 | 18.3 | 0.6 | Brass | Blank | 0° | CF |
| M4 | 25203123009 | 3201512V1 | 0.5-1.0 | 4.3 | 8.0 | 18.3 | 0.6 | Brass | Blank | 0° | CF |
| M4 | 05203123003 | 3201515B5 | 0.5-1.0 | 4.3 | 8.0 | 18.3 | 0.6 | Brass | Blank | 0° | LP |
| M4 | 05203123011 | 320151FCM | 0.5-1.0 | 4.3 | 8.0 | 18.3 | 0.6 | Brass | Sn | 0° | LP |
| M4 | 25594111009 | E01810300 | 0.5-1.0 | 4.3 | 8.0 | 14 | 0.5 | Brass | Blank | 0° | CF |
| M4 | 25215122009 | ---- | 1.0-2.5 | 4.3 | 8.0 | 18.3 | 0.6 | Brass | Blank | 0° | CF |
| M4 | 05215123003 | E01817200 | 1.0-2.5 | 4.3 | 8.0 | 18.3 | 0.6 | Brass | Blank | 0° | LP |
| M4 | 05215123011 | 320151FCL | 1.0-2.5 | 4.3 | 8.0 | 18.3 | 0.6 | Brass | Sn | 0° | LP |
| M4 | 05215123014 | --- | 1.0-2.5 | 4.3 | 8.0 | 18.3 | 0.6 | Brass | Sn | 0° | LP |
| M4 | 05215213011 | E09166500 | 1.0-2.5 | 4.3 | 8.0 | 18.3 | 0.6 | Bronze | Sn | 0° | LP |
| M4 | 05215411031 | E01817400 | 1.0-2.5 | 4.3 | 8.0 | 18.3 | 0.6 | ST3 | Ni | 0° | LP |
| M4 | 25254 | ---- | 1.0-2.5 | 4.3 | 9.5 | 17.5 | 0.6 | --- | --- | 0° | CF |
| M4 | 25229122009 | E01851500 | 2.5-6.0 | 4.3 | 8.0 | 21.3 | 0.8 | Brass30 | Blank | 0° | CF |
| M4 | 05229123011 | 320151F7Q | 2.5-6.0 | 4.3 | 8.0 | 21.3 | 0.8 | Brass | Sn | 0° | LP |

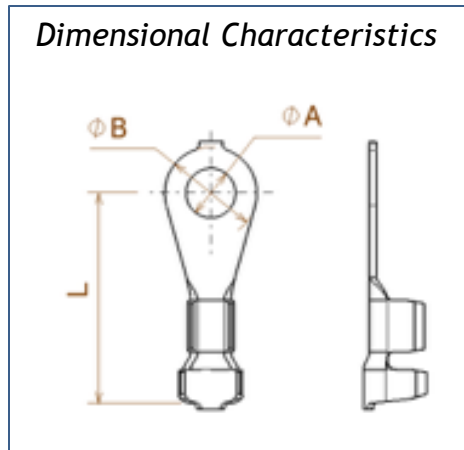
Ring Terminals



Part Number List-

| Bolt Size | Lear T&C Part Number | Lear SEM Part Number | Wire Size Range (mm ²) | Dim A (mm) | Dim B (mm) | Dim L (mm) | Material Thickness (mm) | Material | Surface | Bended | Delivery Condition |
|-----------|----------------------|----------------------|------------------------------------|------------|------------|------------|-------------------------|----------|---------|--------|--------------------|
| M5 | 25205122014 | 320271372 | 0.5-1.0 | 5.3 | 9.5 | 17.5 | 0.6 | Brass | Sn | 0° | CF |
| M5 | 05205123003 | 3201515C3 | 0.5-1.0 | 5.3 | 9.5 | 17.5 | 0.6 | Brass | Blank | 0° | LP |
| M5 | 05205123014 | E01775400 | 0.5-1.0 | 5.3 | 9.5 | 17.5 | 0.6 | Brass | Sn | 0° | LP |
| M5 | 05205123178 | --- | 0.5-1.0 | 5.3 | 9.5 | 17.5 | 0.6 | Brass | Sn | 0° | LP |
| M5 | 05205213004 | E01775500 | 0.5-1.0 | 5.3 | 9.5 | 17.5 | 0.6 | Bronze | Blank | 0° | LP |
| M5 | 05205213011 | E01775600 | 0.5-1.0 | 5.3 | 9.5 | 17.5 | 0.6 | Bronze | Sn | 0° | LP |
| M5 | 25217122009 | ---- | 1.0-2.5 | 5.3 | 9.5 | 17.5 | 0.6 | Brass | Blank | 0° | CF |
| M5 | 05217123003 | E01363500 | 1.0-2.5 | 5.3 | 9.5 | 17.5 | 0.6 | Brass | Blank | 0° | LP |
| M5 | 05217123011 | 320151FCJ | 1.0-2.5 | 5.3 | 9.5 | 17.5 | 0.6 | Brass | Sn | 0° | LP |
| M5 | 05217123014 | --- | 1.0-2.5 | 5.3 | 9.5 | 17.5 | 0.6 | Brass | Sn | 0° | LP |
| M5 | 05217213011 | E01363600 | 1.0-2.5 | 5.3 | 9.5 | 17.5 | 0.6 | Bronze | Sn | 0° | LP |
| M5 | 05217411031 | E01363700 | 1.0-2.5 | 5.3 | 9.5 | 17.5 | 0.6 | ST3 | Ni | 0° | LP |
| M5 | 25387123111 | ---- | 1.0-2.5 | 5.2 | 9.0 | 16.0 | 0.8 | Brass | Sn | 0° | CF |
| M5 | 25097123011 | E01851100 | 2.5-6.0 | 5.3 | 9.5 | 17.5 | 1.0 | Brass | Sn | 0° | CF |
| M5 | 25231122009 | E01970500 | 2.5-6.0 | 5.3 | 9.5 | 20.5 | 0.8 | Brass | Blank | 0° | CF |
| M5 | 05231123011 | 320151FAZ | 2.5-6.0 | 5.3 | 9.5 | 20.5 | 0.8 | Brass | Sn | 0° | LP |
| M5 | 25243122011 | 320270929 | 10.0-12.0 | 5.3 | 9.5 | 24.3 | 1.0 | Brass | Sn | 0° | CF |
| M6 | 25165123009 | E01402000 | 0.5-1.0 | 6.3 | 9.5 | 17.5 | 0.6 | Brass | Blank | 0° | CF |
| M6 | 25207122009 | 3201512Z3 | 0.5-1.0 | 6.5 | 12.0 | 22.0 | 0.6 | Brass | Blank | 0° | CF |

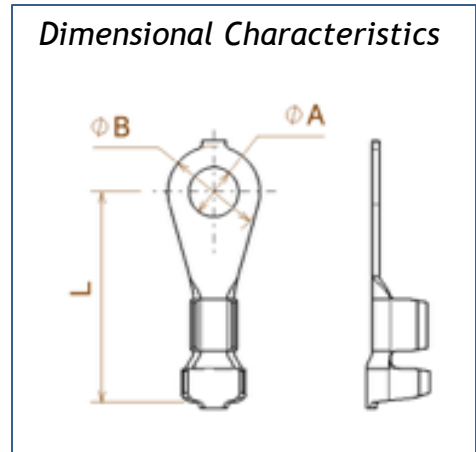
Ring Terminals



Part Number List-

| Bolt Size | Lear T&C Part Number | Lear SEM Part Number | Wire Size Range (mm ²) | Dim A (mm) | Dim B (mm) | Dim L (mm) | Material Thickness (mm) | Material | Surface | Bended | Delivery Condition |
|-----------|----------------------|----------------------|------------------------------------|------------|------------|------------|-------------------------|----------|---------|--------|--------------------|
| M6 | 05207123003 | E01779600 | 0.5-1.0 | 6.5 | 12.0 | 22.0 | 0.6 | Brass | Blank | 0° | LP |
| M6 | 05207123011 | 320151FCN | 0.5-1.0 | 6.5 | 12.0 | 22.0 | 0.6 | Brass | Sn | 0° | LP |
| M6 | 05207123014 | E01779700 | 0.5-1.0 | 6.5 | 12.0 | 22.0 | 0.6 | Brass | Sn | 0° | LP |
| M6 | 05207213004 | E01779900 | 0.5-1.0 | 6.5 | 12.0 | 22.0 | 0.6 | Bronze | Blank | 0° | LP |
| M6 | 05207213011 | E01780000 | 0.5-1.0 | 6.5 | 12.0 | 22.0 | 0.6 | Bronze | Sn | 0° | LP |
| M6 | 25671122014 | 320254964 | 0.5-1.0 | 6.5 | 18.5 | 24.0 | 0.6 | Brass | Sn | 0° | CF |
| M6 | 25167122011 | 320271471 | 1.0-2.5 | 6.3 | 9.5 | 17.5 | 0.6 | Brass | Sn | 0° | CF |
| M6 | 25219122009 | ---- | 1.0-2.5 | 6.5 | 12.0 | 22.0 | 0.6 | Brass | Blank | 0° | CF |
| M6 | 25219122011 | 320251325 | 1.0-2.5 | 6.5 | 12.0 | 22.0 | 0.6 | Brass | Sn | 0° | CF |
| M6 | 25219122321 | E01820800 | 1.0-2.5 | 6.5 | 12.0 | 22.0 | 0.6 | Brass | Blank | 0° | CF |
| M6 | 25219122014 | 320272156 | 1.0-2.5 | 6.5 | 12.0 | 22.0 | 0.6 | Brass | Sn | 0° | CF |
| M6 | 25219122323 | E01822200 | 1.0-2.5 | 6.5 | 12.0 | 22.0 | 0.6 | Brass | Sn | 0° | CF |
| M6 | 25219123009 | 320151418 | 1.0-2.5 | 6.5 | 12.0 | 22.0 | 0.6 | Brass | Blank | 0° | CF |
| M6 | 25219123011 | 320270283 | 1.0-2.5 | 6.5 | 12.0 | 22.0 | 0.6 | Brass | Sn | 0° | CF |
| M6 | 25219123014 | 320271133 | 1.0-2.5 | 6.5 | 12.0 | 22.0 | 0.6 | Brass | Sn | 0° | CF |
| M6 | 25219123321 | E01822400 | 1.0-2.5 | 6.5 | 12.0 | 22.0 | 0.6 | Brass | Blank | 0° | CF |
| M6 | 25219123322 | 320151426 | 1.0-2.5 | 6.5 | 12.0 | 22.0 | 0.6 | Brass | Sn | 0° | CF |
| M6 | 25219201011 | E01823000 | 1.0-2.5 | 6.5 | 12.0 | 22.0 | 0.6 | Bronze | Sn | 0° | CF |
| M6 | 25219212179 | 320151FAR | 1.0-2.5 | 6.5 | 12.0 | 22.0 | 0.6 | Bronze | Sn | 0° | CF |

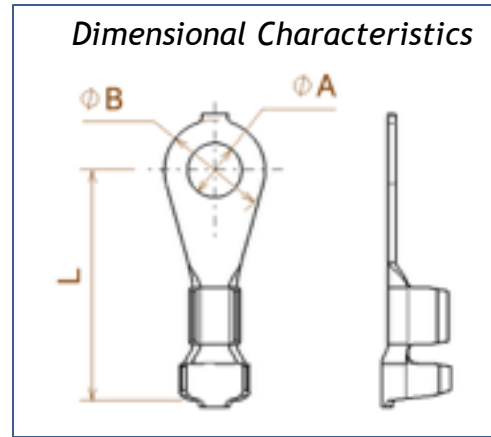
Ring Terminals



Part Number List-

| Bolt Size | Lear T&C Part Number | Lear SEM Part Number | Wire Size Range (mm ²) | Dim A (mm) | Dim B (mm) | Dim L (mm) | Material Thickness (mm) | Material | Surface | Bended | Delivery Condition |
|-----------|----------------------|----------------------|------------------------------------|------------|------------|------------|-------------------------|----------|---------|--------|--------------------|
| M6 | 25219213004 | 320272040 | 1.0-2.5 | 6.5 | 12.0 | 22.0 | 0.6 | Bronze | Blank | 0° | CF |
| M6 | 25219213011 | 320290471 | 1.0-2.5 | 6.5 | 12.0 | 22.0 | 0.6 | Bronze | Sn | 0° | CF |
| M6 | 25219213178 | --- | 1.0-2.5 | 6.5 | 12.0 | 22.0 | 0.6 | Bronze | Sn | 0° | CF |
| M6 | 25219213320 | 320151FAN | 1.0-2.5 | 6.5 | 12.0 | 22.0 | 0.6 | Bronze | Sn | 0° | CF |
| M6 | 25219213322 | 320151434 | 1.0-2.5 | 6.5 | 12.0 | 22.0 | 0.6 | Bronze | Sn | 0° | CF |
| M6 | 25219411031 | E01823300 | 1.0-2.5 | 6.5 | 12.0 | 22.0 | 0.6 | ST3 | Ni | 0° | CF |
| M6 | 05219123003 | E01823500 | 1.0-2.5 | 6.5 | 12.0 | 22.0 | 0.6 | Brass | Blank | 0° | LP |
| M6 | 05219123011 | 320151FCK | 1.0-2.5 | 6.5 | 12.0 | 22.0 | 0.6 | Brass | Sn | 0° | LP |
| M6 | 05219123014 | --- | 1.0-2.5 | 6.5 | 12.0 | 22.0 | 0.6 | Brass | Sn | 0° | LP |
| M6 | 05219213004 | E01824700 | 1.0-2.5 | 6.5 | 12.0 | 22.0 | 0.6 | Bronze | Blank | 0° | LP |
| M6 | 05219213011 | E01829400 | 1.0-2.5 | 6.5 | 12.0 | 22.0 | 0.6 | Bronze | Sn | 0° | LP |
| M6 | 05219411031 | E01829500 | 1.0-2.5 | 6.5 | 12.0 | 22.0 | 0.6 | ST3 | Ni | 0° | LP |
| M6 | 25228 | ---- | 1.0-2.5 | 6.5 | 12.0 | 25.0 | 0.8 | --- | --- | 0° | CF |
| M6 | 25672122014 | 320254758 | 1.0-2.5 | 6.5 | 18.5 | 24.0 | 0.6 | Brass | Sn | 0° | CF |
| M6 | 25233122011 | 3202555S4 | 2.5-6.0 | 6.5 | 12.0 | 25.0 | 0.8 | Brass | Sn | 0° | CF |
| M6 | 25233122014 | 320105968 | 2.5-6.0 | 6.5 | 12.0 | 25.0 | 0.8 | Brass | Sn | 0° | CF |
| M6 | 25233123009 | 3201514B6 | 2.5-6.0 | 6.5 | 12.0 | 25.0 | 0.8 | Brass | Blank | 0° | CF |
| M6 | 25233123011 | 320270028 | 2.5-6.0 | 6.5 | 12.0 | 25.0 | 0.8 | Brass | Sn | 0° | CF |
| M6 | 25233123014 | 320271174 | 2.5-6.0 | 6.5 | 12.0 | 25.0 | 0.8 | Brass | Sn | 0° | CF |

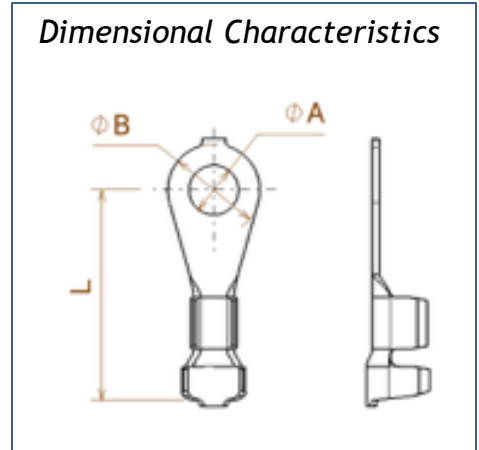
Ring Terminals



Part Number List-

| Bolt Size | Lear T&C Part Number | Lear SEM Part Number | Wire Size Range (mm2) | Dim A (mm) | Dim B (mm) | Dim L (mm) | Material Thickness (mm) | Material | Surface | Bended | Delivery Condition |
|-----------|----------------------|----------------------|-----------------------|------------|------------|------------|-------------------------|--------------|---------|--------|--------------------|
| M6 | 25233123178 | 3201514C4 | 2.5-6.0 | 6.5 | 12.0 | 25.0 | 0.8 | Brass | Sn | 0° | CF |
| M6 | 25233123322 | 3201514F7 | 2.5-6.0 | 6.5 | 12.0 | 25.0 | 0.8 | Brass | Sn | 0° | CF |
| M6 | 25233212179 | 3201514G5 | 2.5-6.0 | 6.5 | 12.0 | 25.0 | 0.8 | Bronze | Sn | 0° | CF |
| M6 | 25233213004 | 320260292 | 2.5-6.0 | 6.5 | 12.0 | 25.0 | 0.8 | Bronze | Blank | 0° | CF |
| M6 | 25233213011 | 320290489 | 2.5-6.0 | 6.5 | 12.0 | 25.0 | 0.8 | Bronze | Sn | 0° | CF |
| M6 | 25233213320 | 320151F85 | 2.5-6.0 | 6.5 | 12.0 | 25.0 | 0.8 | Bronze | Sn | 0° | CF |
| M6 | 25233213322 | 3201514H3 | 2.5-6.0 | 6.5 | 12.0 | 25.0 | 0.8 | Bronze | Sn | 0° | CF |
| M6 | 25233331011 | 3201514J8 | 2.5-6.0 | 6.5 | 12.0 | 25.0 | 0.8 | copper alloy | Sn | 0° | CF |
| M6 | 25233331322 | 320151F7B | 2.5-6.0 | 6.5 | 12.0 | 25.0 | 0.8 | copper alloy | Sn | 0° | CF |
| M6 | 05233123003 | E05587700 | 2.5-6.0 | 6.5 | 12.0 | 25.0 | 0.8 | Brass | Blank | 0° | LP |
| M6 | 05233123011 | 3201515R0 | 2.5-6.0 | 6.5 | 12.0 | 25.0 | 0.8 | Brass | Sn | 0° | LP |
| M6 | 28444213011 | 32025Y22U | 2.5-6.0 | 6.3 | 14.0 | 24.0 | 0.8 | Bronze | Sn | 0° | CF |
| M6 | 25361123011 | 320251283 | 2.5-6.0 | 6.3 | 9.5 | 17.5 | 1.0 | Brass | Sn | 0° | CF |
| M6 | 25673122014 | 3202700A0 | 2.5-6.0 | 6.5 | 18.5 | 27.0 | 0.8 | Brass | Sn | 0° | CF |
| M6 | 28079122009 | E01366500 | 10.0 | 6.5 | 14.0 | 26.2 | 1.0 | Brass | Blank | 0° | CF |
| M6 | 25847122014 | 320270275 | 10.0 | 6.5 | 18.5 | 28.5 | 1.0 | Brass | Sn | 0° | CF |
| M6 | 25245122011 | 320251176 | 10.0-12.0 | 6.5 | 12.0 | 22.4 | 1.0 | Brass | Sn | 0° | CF |
| M8 | 25209122009 | E01784800 | 0.5-1.0 | 8.4 | 14.0 | 21.0 | 0.6 | Brass | Blank | 0° | CF |
| M8 | 25209122011 | E01784900 | 0.5-1.0 | 8.4 | 14.0 | 21.0 | 0.6 | Brass | Sn | 0° | CF |

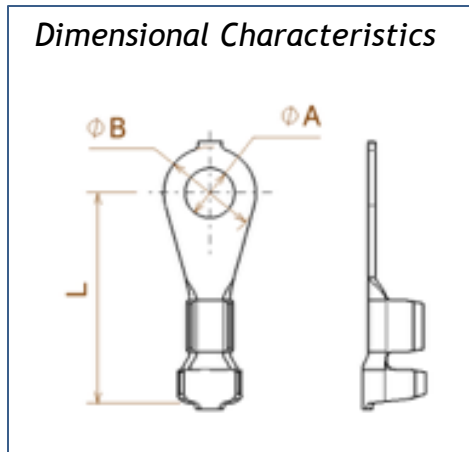
Ring Terminals



Part Number List-

| Bolt Size | Lear T&C Part Number | Lear SEM Part Number | Wire Size Range (mm ²) | Dim A (mm) | Dim B (mm) | Dim L (mm) | Material Thickness (mm) | Material | Surface | Bended | Delivery Condition |
|-----------|----------------------|----------------------|------------------------------------|------------|------------|------------|-------------------------|----------|---------|--------|--------------------|
| M8 | 25209123009 | 320151F9Y | 0.5-1.0 | 8.4 | 14.0 | 21.0 | 0.6 | Brass | Sn | 0° | CF |
| M8 | 25209122014 | 320270119 | 0.5-1.0 | 8.4 | 14.0 | 21.0 | 0.6 | Brass | Blank | 0° | CF |
| M8 | 25209123011 | 3202505N8 | 0.5-1.0 | 8.4 | 14.0 | 21.0 | 0.6 | Brass | Sn | 0° | CF |
| M8 | 25209123014 | E01785000 | 0.5-1.0 | 8.4 | 14.0 | 21.0 | 0.6 | Brass | Blank | 0° | CF |
| M8 | 25209212179 | 320151F89 | 0.5-1.0 | 8.4 | 14.0 | 21.0 | 0.6 | Bronze | Sn | 0° | CF |
| M8 | 25209213009 | 3201513P6 | 0.5-1.0 | 8.4 | 14.0 | 21.0 | 0.6 | Bronze | Sn | 0° | CF |
| M8 | 25209213011 | 320272560 | 0.5-1.0 | 8.4 | 14.0 | 21.0 | 0.6 | Bronze | Sn | 0° | CF |
| M8 | 05209123001 | E01787700 | 0.5-1.0 | 8.4 | 14.0 | 21.0 | 0.6 | Brass | Blank | 0° | LP |
| M8 | 05209123009 | E01787800 | 0.5-1.0 | 8.4 | 14.0 | 21.0 | 0.6 | Brass | Sn | 0° | LP |
| M8 | 05209123011 | E01787900 | 0.5-1.0 | 8.4 | 14.0 | 21.0 | 0.6 | Brass | Sn | 0° | LP |
| M8 | 05209123014 | --- | 0.5-1.0 | 8.4 | 14.0 | 21.0 | 0.6 | Brass | Blank | 0° | LP |
| M8 | 25221000000 | E02515600 | 1.0-2.5 | 8.4 | 14.0 | 21.0 | 0.6 | Bronze | Blank | 0° | CF |
| M8 | 05221123003 | 3201515P4 | 1.0-2.5 | 8.4 | 14.0 | 21.0 | 0.6 | Brass | Blank | 0° | LP |
| M8 | 05221123011 | 320151FCQ | 1.0-2.5 | 8.4 | 14.0 | 21.0 | 0.6 | Brass | Sn | 0° | LP |
| M8 | 05221123014 | E01839100 | 1.0-2.5 | 8.4 | 14.0 | 21.0 | 0.6 | Brass | Blank | 0° | LP |
| M8 | 05221213011 | --- | 1.0-2.5 | 8.4 | 14.0 | 21.0 | 0.6 | Bronze | Sn | 0° | LP |
| M8 | 25235122011 | 3201514K6 | 2.5-6.0 | 8.4 | 14.0 | 24.0 | 0.8 | Brass | Sn | 0° | CF |
| M8 | 25247122011 | E01365900 | 10.0 | 8.4 | 14.0 | 26.2 | 1.0 | Brass | Sn | 0° | CF |
| M10 | 25211122009 | E01790900 | 0.5-1.0 | 10.5 | 18.5 | 24.0 | 0.6 | Brass | Sn | 0° | CF |

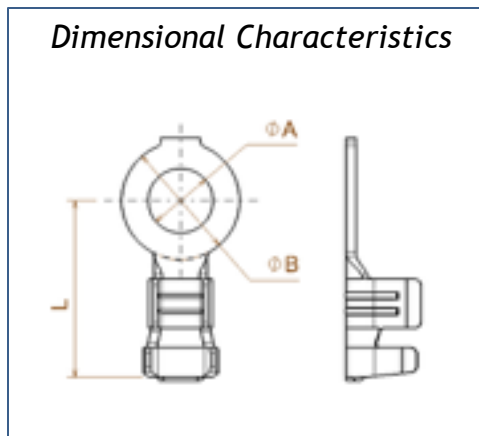
Ring Terminals



Part Number List-

| Bolt Size | Lear T&C Part Number | Lear SEM Part Number | Wire Size Range (mm ²) | Dim A (mm) | Dim B (mm) | Dim L (mm) | Material Thickness (mm) | Material | Surface | Bended | Delivery Condition |
|-----------|----------------------|----------------------|------------------------------------|------------|------------|------------|-------------------------|----------|---------|--------|--------------------|
| M10 | 05211123003 | E01795600 | 0.5-1.0 | 10.5 | 18.5 | 24.0 | 0.6 | Brass | Blank | 0° | LP |
| M10 | 25223122014 | 3201502Z5 | 1.0-2.5 | 10.5 | 18.5 | 24.0 | 0.6 | Brass | Blank | 0° | CF |
| M10 | 05223123003 | 3201515Q2 | 1.0-2.5 | 10.5 | 18.5 | 24.0 | 0.6 | Brass | Blank | 0° | LP |
| M10 | 25237122009 | E01970500 | 2.5-6.0 | 10.5 | 18.5 | 27.0 | 0.8 | Brass | Sn | 0° | CF |
| M10 | 25249122014 | ---- | 10.0 | 10.5 | 18.5 | 28.5 | 1.0 | Brass | Blank | 0° | CF |
| M12 | 25226122011 | 320151F97 | 0.5-1.0 | 13.0 | 18.5 | 24.0 | 0.6 | Brass | Sn | 0° | CF |
| M12 | 25239123014 | 3201514T4 | 1.0-2.5 | 13.0 | 18.5 | 24.0 | 0.6 | Brass | Blank | 0° | CF |
| M12 | 25262122009 | ---- | 2.5-6.0 | 13.0 | 18.5 | 27.0 | 0.8 | Brass | Sn | 0° | CF |
| M12 | 25273212179 | 3201515G4 | 10.0 | 13.0 | 18.5 | 28.5 | 1.0 | Bronze | Sn | 0° | CF |

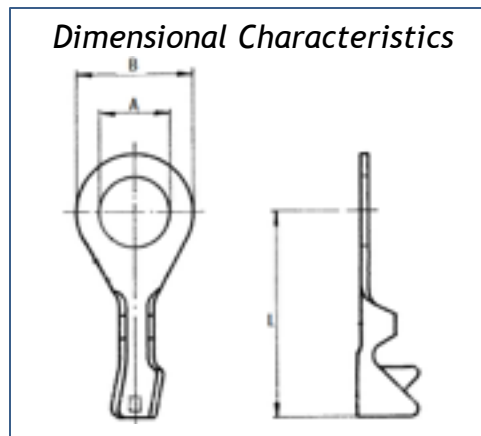
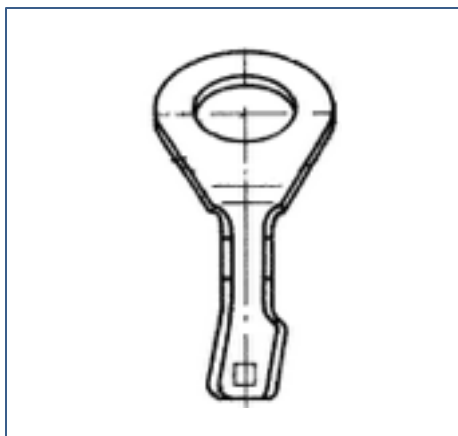
Ring Terminals



Part Number List-

| Bolt Size | Lear T&C Part Number | Lear SEM Part Number | Wire Size Range (mm ²) | Dim A (mm) | Dim B (mm) | Dim L (mm) | Material Thickness (mm) | Material | Surface | Bended |
|-----------|----------------------|----------------------|------------------------------------|------------|------------|------------|-------------------------|----------|---------|--------|
| M2 | 25509123009 | 320151F7R | 0.5-1.0 | 2.2 | 6.0 | 9.0 | 0.5 | Brass | Sn | 0° |
| M2.5 | 25256123011 | 320151FAL | 0.5-1.0 | 2.7 | 6.0 | 9.0 | 0.5 | Brass | Sn | 0° |
| M2.5 | 25026123111 | 320151F7J | 0.5-1.0 | 2.7 | 6.0 | 9.0 | 0.5 | Brass | Sn | 0° |
| M3 | 25013123009 | ---- | 0.5-1.0 | 3.3 | 6.0 | 9.0 | 0.5 | Brass | Sn | 0° |
| M3 | 25199123009 | ---- | 0.5-1.0 | 3.2 | 6.0 | 9.0 | 0.5 | Brass | Sn | 0° |
| M3 | 25022123009 | 320151F8W | 0.5-1.0 | 3.3 | 7.0 | 9.5 | 0.5 | Brass | Sn | 0° |
| M3 | 25272122011 | 320151FAM | 1.5-2.5 | 3.2 | 7.0 | 9.5 | 0.5 | Brass | Sn | 0° |
| M3.5 | 25014123011 | 320151F94 | 0.5-1.0 | 3.8 | 6.0 | 9.0 | 0.5 | Brass | Sn | 0° |
| M4 | 25024123009 | ---- | 0.5-1.0 | 4.3 | 7.0 | 9.5 | 0.5 | Brass | Sn | 0° |
| M4 | 25149122011 | 320151FAU | 1.5-2.5 | 4.3 | 7.0 | 9.5 | 0.5 | Brass | Sn | 0° |
| M5 | 25025123009 | 320151F8K | 0.5-1.0 | 5.3 | 9.0 | 10.5 | 0.5 | Brass | Sn | 0° |
| M6 | 25044123009 | 320151F84 | 0.5-1.0 | 6.3 | 9.0 | 10.5 | 0.5 | Brass | Sn | 0° |

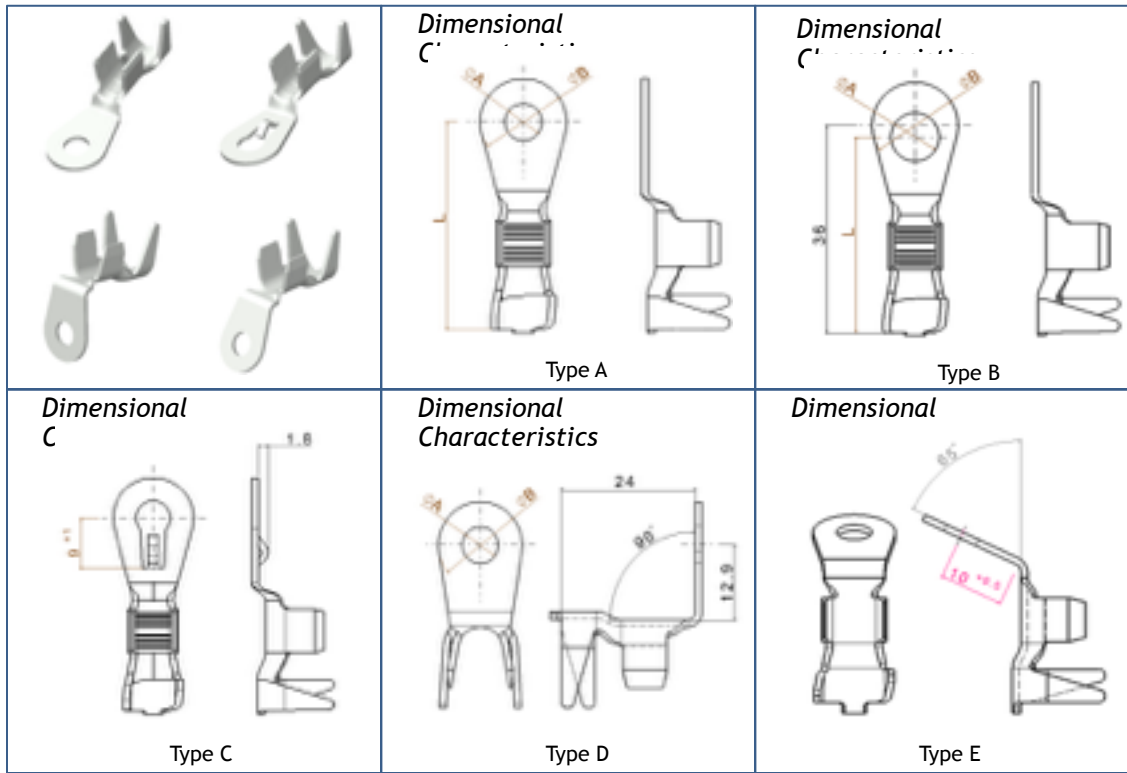
Ring Terminals



Part Number List-

| Bolt Size | Lear T&C Part Number | Lear SEM Part Number | Wire Size Range (mm ²) | Dim A (mm) | Dim B (mm) | Dim L (mm) | Material Thickness (mm) | Material | Surface | Bended |
|-----------|----------------------|----------------------|------------------------------------|------------|------------|------------|-------------------------|----------|---------|--------|
| M4 | 02086111007 | 320151F76 | 0.5-2.5 | 4.3 | 8.0 | 21 | 0.75 | Brass | Sn | 0° |
| M4 | 02096111007 | ---- | 4.0-6.0 | 4.3 | 8.0 | 21 | 1.0 | Brass | Sn | 0° |
| M4 | 02679111007 | ---- | 10.0 | 4.3 | 8.0 | max22 | 1.2 | Brass | Sn | 0° |
| M5 | 02087111007 | 320151F7H | 0.5-2.5 | 5.3 | 9.5 | 22 | 0.75 | Brass | Sn | 0° |
| M5 | 02097111007 | ---- | 4.0-6.0 | 5.3 | 9.5 | 22 | 1.0 | Brass | Sn | 0° |
| M5 | 00535111007 | ---- | 10.0 | 5.3 | 9.5 | 22 | 1.2 | Brass | Sn | 0° |
| M6 | 02088111007 | ---- | 0.5-2.5 | 6.5 | 12.0 | 23 | 0.75 | Brass | Sn | 0° |
| M6 | 02098111007 | ---- | 4.0-6.0 | 6.5 | 12.0 | 23 | 1.0 | Brass | Sn | 0° |
| M6 | 00536111011 | 3201509Y0 | 10.0 | 6.5 | 12.0 | 23 | 1.2 | Brass | Sn | 0° |
| M8 | 02089111007 | ---- | 0.5-2.5 | 8.4 | 14.0 | 25 | 0.75 | Brass | Sn | 0° |
| M8 | 02090111007 | ---- | 0.5-2.5 | 8.4 | 18.5 | 27 | 0.75 | Brass | Sn | 0° |
| M8 | 02099111007 | ---- | 4.0-6.0 | 8.4 | 14.0 | 25 | 1.0 | Brass | Sn | 0° |
| M8 | 02100111007 | ---- | 4.0-6.0 | 8.4 | 18.5 | 27 | 1.0 | Brass | Sn | 0° |
| M8 | 00537111011 | 3201509Z8 | 10.0 | 8.4 | 14.0 | 25 | 1.2 | Brass | Sn | 0° |
| M10 | 02091111007 | ---- | 0.5-2.5 | 10.5 | 18.5 | 27 | 0.75 | Brass | Sn | 0° |
| M10 | 02101111007 | ---- | 4.0-6.0 | 10.5 | 18.5 | 27 | 1.0 | Brass | Sn | 0° |
| M12 | 02092111007 | ---- | 0.5-2.5 | 13.0 | 18.5 | 27 | 0.75 | Brass | Sn | 0° |
| M12 | 02615111007 | ---- | 4.0-6.0 | 13.0 | 18.5 | 27 | 1.0 | Brass | Sn | 0° |

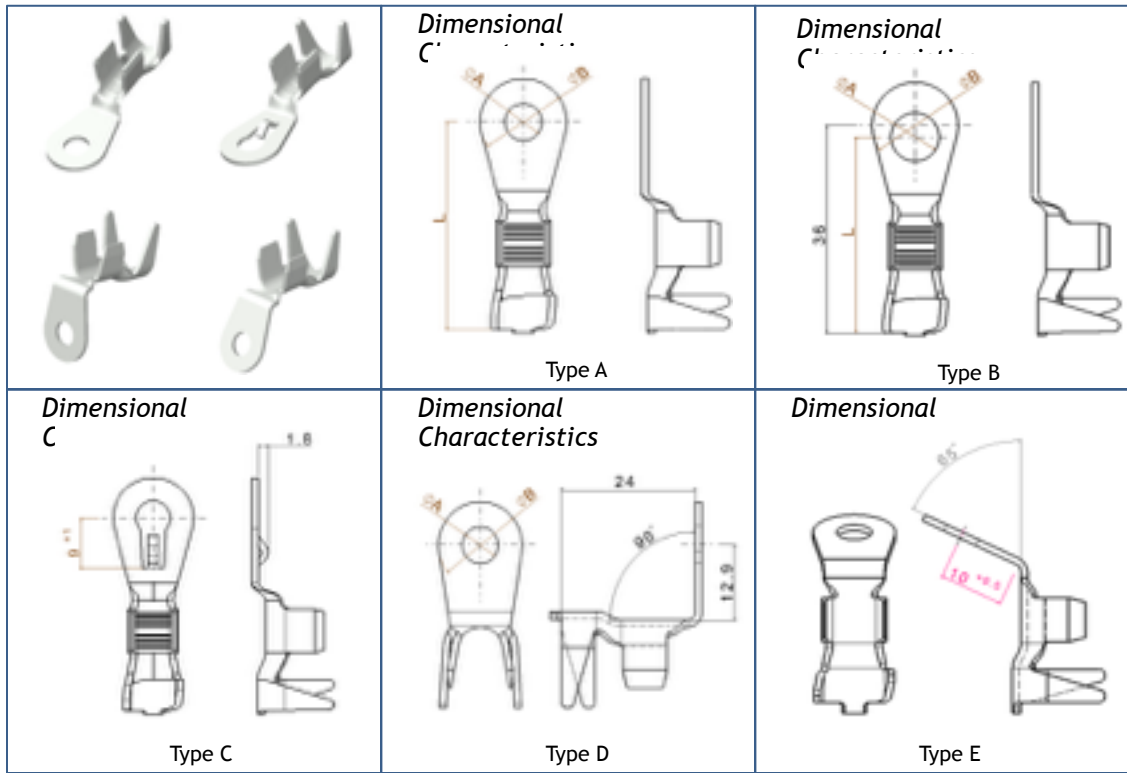
Ring Terminals



Part Number List-

| Bolt Size | Lear T&C Part Number | Lear SEM Part Number | Wire Size Range (mm ²) | Dim A (mm) | Dim B (mm) | Dim L (mm) | Material Thickness (mm) | Material | Surface | Bended | Type | Delivery Condition |
|-----------|----------------------|----------------------|------------------------------------|------------|------------|------------|-------------------------|--------------|---------|--------|------|--------------------|
| M6 | 26835212178 | 320272164 | 10.0-16.0 | 6.4 | 15 | 36 | 1.2 | Bronze | Sn | 0° | A | CF |
| M6 | 28082212178 | E01290600 | 10.0-16.0 | 6.4 | 15 | 36 | 1.2 | Bronze | Sn | 0° | C | CF |
| M6 | 06835212178 | 320151F83 | 10.0-16.0 | 6.4 | 15 | 36 | 1.2 | Bronze | Sn | 0° | A | LP |
| M6 | 25838212178 | 3202700G7 | 16.0-25.0 | 6.4 | 15 | 36 | 1.2 | Bronze | Sn | 0° | A | CF |
| M6 | 05838212178 | 320150121 | 16.0-25.0 | 6.4 | 15 | 36 | 1.2 | Bronze | Sn | 0° | A | LP |
| M6 | 05405212178 | 320151F8B | 16.0-25.0 | 6.4 | 15 | --- | 1.2 | Bronze | Sn | 90° | D | LP |
| M6 | 26836212178 | 3201503H6 | 25.0-35.0 | 6.4 | 15 | 36 | 1.2 | Bronze | Sn | 0° | A | CF |
| M6 | 08690000001 | E08948700 | 25.0-35.0 | 6.4 | 15 | --- | 1.2 | copper alloy | Sn | 90° | D | LP |
| M8 | 25937212178 | 320270721 | 10.0-16.0 | 8.4 | 15 | 36 | 1.2 | Bronze | Sn | 0° | A | CF |
| M8 | 05937212178 | 320271448 | 10.0-16.0 | 8.4 | 15 | 36 | 1.2 | Bronze | Sn | 0° | A | LP |
| M8 | 25960212178 | E01356000 | 10.0-16.0 | 8.4 | 15 | 34 | 1.2 | Bronze | Sn | 0° | B | CF |

Ring Terminals



Part Number List-

| Bolt Size | Lear T&C Part Number | Lear SEM Part Number | Wire Size Range (mm ²) | Dim A (mm) | Dim B (mm) | Dim L (mm) | Material Thickness (mm) | Material | Surface | Bended | Type | Delivery Condition |
|-----------|----------------------|----------------------|------------------------------------|------------|------------|------------|-------------------------|--------------|---------|--------|------|--------------------|
| M8 | 0596099999 | E09072200 | 10.0-16.0 | 8.4 | 15 | 34 | 1.2 | Bronze | Sn | 0° | B | LP |
| M8 | 25938212178 | 3202520S6 | 16.0-25.0 | 8.4 | 15 | 36 | 1.2 | Bronze | Sn | 0° | A | CF |
| M8 | 05938212178 | E01348300 | 16.0-25.0 | 8.4 | 15 | 36 | 1.2 | Bronze | Sn | 0° | A | LP |
| M8 | 25939000000 | E02485500 | 25.0-35.0 | 8.4 | 15 | 36 | 1.2 | copper alloy | Sn | 0° | A | CF |
| M8 | 05939212178 | E01344800 | 25.0-35.0 | 8.4 | 15 | 36 | 1.2 | Bronze | Sn | 0° | A | LP |
| M8 | 25939212178 | 320151F98 | 25.0-35.0 | 8.4 | 15 | 36 | 1.2 | Bronze | Sn | 0° | A | CF |
| M8 | 28176201178 | 320151269 | 16.0-25.0 | 8.4 | 15 | --- | 1.2 | Bronze | Sn | 65° | E | CF |
| M8 | 08076212178 | E00003231 | 16.0-25.0 | 8.4 | 15 | --- | 1.2 | Bronze | Sn | 90° | D | LP |

Ring Terminals

| | | | | |
|------------|------------|------------|------------|------------|
| | Type A | Type B | Type C | Type C |
| Type D | Type E | Type F | Type G | |

Part Number List-

| Bolt Size | Lear T&C Part Number | Lear SEM Part Number | Wire Size Range (mm ²) | Dim A (mm) | Dim B (mm) | Dim L (mm) | Material Thickness (mm) | Material | Surface | Bended | Type | Delivery Condition |
|-----------|----------------------|----------------------|------------------------------------|------------|------------|------------|-------------------------|----------|---------|---------|------|--------------------|
| M8 | 25961111111 | 3202516W3 | 10.0-16.0 | 8.4 | 21 | 56.5 | 1.8 | Brass | Sn | 0° | A | CF |
| M8 | 25962111111 | E01915000 | 16.0-25.0 | 8.4 | 21 | 56.5 | 1.8 | Brass | Sn | 0° | A | CF |
| M8 | 05962111111 | E01915100 | 16.0-25.0 | 8.4 | 21 | 56.5 | 1.8 | Brass | Sn | 0° | A | LP |
| M8 | 25964111111 | E01915200 | 16.0-25.0 | 8.4 | 21 | --- | 1.8 | Brass | Sn | 45°-10° | B | CF |
| M8 | 05964111111 | 3202700C6 | 16.0-25.0 | 8.4 | 21 | --- | 1.8 | Brass | Sn | 45°-10° | B | LP |
| M8 | 05963111111 | 320271208 | 16.0-25.0 | 8.4 | 21 | 56.5 | 1.8 | Brass | Sn | 0° | A | LP |
| M8 | 12453111111 | 3201504L6 | 16.0-25.0 | 8.4 | 21 | --- | 1.8 | Brass | Sn | 90°+10° | C | LP |
| M8 | 25401111111 | 3201503G8 | 25.0-35.0 | 8.4 | 21 | 56.5 | 1.8 | Brass | Sn | 0° | A | CF |
| M8 | 05401111111 | 3201503S9 | 25.0-35.0 | 8.4 | 21 | 56.5 | 1.8 | Brass | Sn | 0° | A | LP |
| M8 | 28081000001 | E04380700 | 25.0-35.0 | 8.4 | 21 | --- | 1.8 | --- | Blank | 45°-10° | B | CF |
| M8 | 08081000002 | 3201515U1 | 25.0-35.0 | 8.4 | 21 | --- | 1.8 | --- | Blank | 45°-10° | B | LP |
| M8 | 08081111111 | E06794700 | 25.0-35.0 | 8.4 | 21 | --- | 1.8 | Brass | Sn | 45°-10° | B | LP |
| M8 | 12454111111 | 320271588 | 25.0-35.0 | 8.4 | 21 | --- | 1.8 | Brass | Sn | 90°+10° | C | LP |

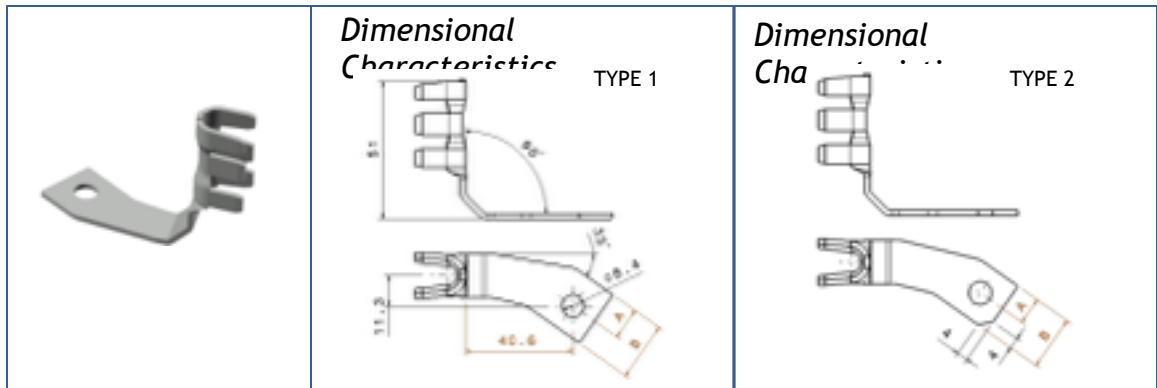
Ring Terminals

| | | | | |
|--|--|--|--|--|
| | <i>Dimensional Characteristics</i> Type A | <i>Dimensional Characteristics</i> Type B | <i>Dimensional Characteristics</i> Type C | <i>Dimensional Characteristics</i> Type C |
| <i>Dimensional Characteristics</i> Type D | <i>Dimensional Characteristics</i> Type E | <i>Dimensional Characteristics</i> Type F | <i>Dimensional Characteristics</i> Type G | |

Part Number List-

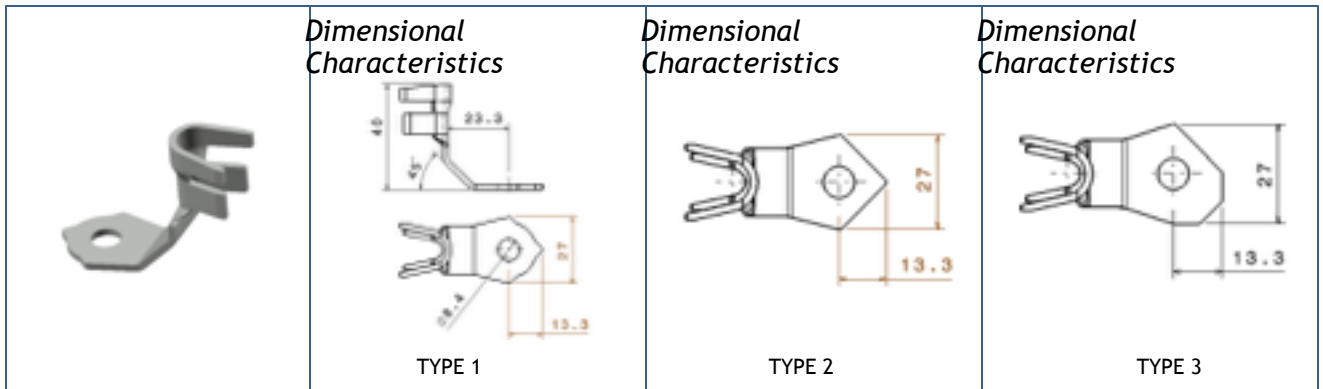
| Bolt Size | Lear T&C Part Number | Lear SEM Part Number | Wire Size Range (mm ²) | Dim A (mm) | Dim B (mm) | Dim L (mm) | Material Thickness (mm) | Material | Surface | Bended | Type | Delivery Condition |
|-----------|----------------------|----------------------|------------------------------------|------------|------------|------------|-------------------------|----------|---------|---------|------|--------------------|
| M8 | 12376111111 | E01915500 | 25.0-35.0 | 8.4 | 21 | --- | 1.8 | Brass | Sn | 150°±5° | D | LP |
| M8 | 08814000001 | E04380900 | 25.0-35.0 | 8.4 | 21 | --- | 1.8 | --- | Blank | 110°±5° | G | LP |
| M8 | 12167111111 | E01915600 | 25.0-35.0 | 8.4 | 21 | --- | 1.8 | Brass | Sn | 120°±5° | E | LP |
| M8 | 28146111111 | E01915400 | 50 | 9.5 | 21 | --- | 1.8 | Brass | Sn | --- | F | CF |
| M8 | 08146111111 | 3201515V8 | 50 | 9.5 | 21 | --- | 1.8 | Brass | Sn | --- | F | LP |
| M8 | 08108111111 | 3202545N0 | 50 | 8.4 | 21 | 56.5 | 1.8 | Brass | Sn | 0° | A | LP |
| M8 | 12906111111 | E01915300 | 16.0-35.0 | 8.4 | 21 | --- | 1.8 | Brass | Sn | 90°+10° | C | LP |
| M8 | 12481111111 | 3202520G5 | 16.0-35.0 | 8.4 | 21 | --- | 1.8 | Brass | Sn | 90°+10° | C | LP |
| M10 | 28019111111 | 320151186 | 10.0-16.0 | 10.5 | 21 | 56.5 | 1.8 | Brass | Sn | 0° | A | CF |
| M10 | 25745111111 | 3202700D4 | 25.0-35.0 | 10.5 | 21 | 56.5 | 1.8 | Brass | Sn | 0° | A | CF |

Ring Terminals



Part Number List-

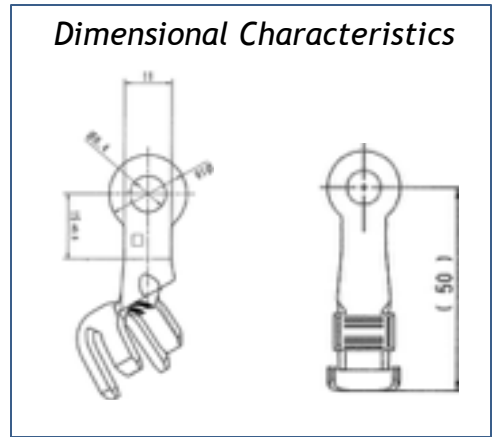
| Bolt Size | Lear T&C Part Number | Lear SEM Part Number | Wire Size Range (mm ²) | Dim A (mm) | Dim B (mm) | Dim L (mm) | Material Thickness (mm) | Material | Surface | Bended | Type |
|-----------|----------------------|----------------------|------------------------------------|------------|------------|------------|-------------------------|----------|---------|--------|------|
| M8 | 12827 212 111 | 320151F9J | 25.0-35.0 | 12 | 22 | 51 | 1.8 | Bronze | Sn | 90° | 1 |
| M8 | 12927 212 111 | --- | 25.0-35.0 | 10 | 20 | 51 | 1.8 | Bronze | Sn | 90° | 2 |



Part Number List-

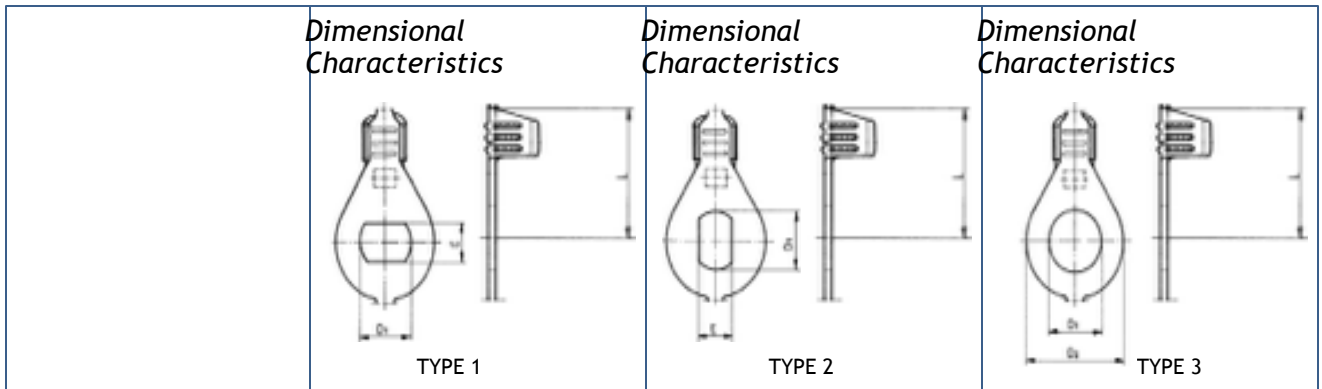
| Bolt Size | Lear T&C Part Number | Lear SEM Part Number | Wire Size Range (mm ²) | Dim A (mm) | Dim B (mm) | Dim L (mm) | Material Thickness (mm) | Material | Surface | Bended | Type |
|-----------|----------------------|----------------------|------------------------------------|------------|------------|------------|-------------------------|----------|---------|--------|------|
| M8 | 12837 212 111 | 320151F7K | 25~41 | 8.4 | 27 | 40 | 2.0 | Bronze | Sn | 90° | 1 |
| M8 | 12852 212 111 | 3201513H4 | 25~41 | 8.4 | 27 | 40 | 2.0 | Bronze | Sn | 90° | 2 |
| M8 | 12940 212 111 | 3201513J9 | 25~41 | 8.4 | 27 | 40 | 2.0 | Bronze | Sn | 90° | 3 |

Ring Terminals



Part Number List-

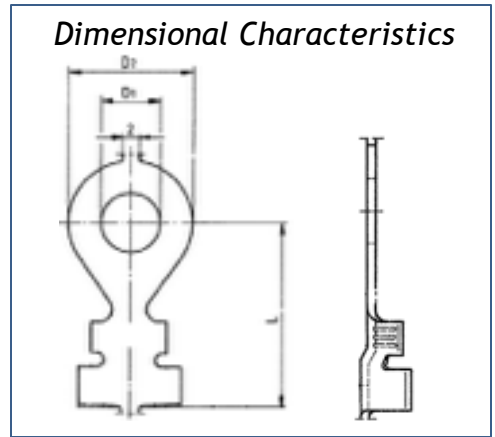
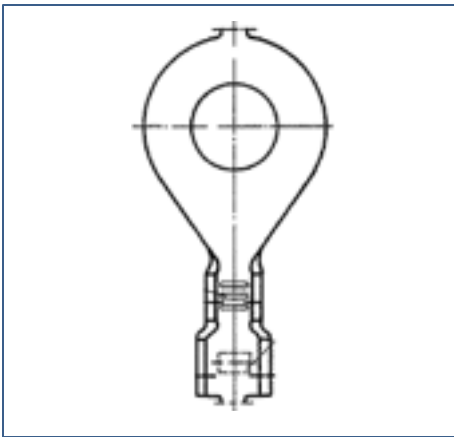
| Bolt Size | Lear T&C Part Number | Lear SEM Part Number | Wire Size Range (mm ²) | Dim A (mm) | Dim B (mm) | Dim L (mm) | Material Thickness (mm) | Material | Surface | Bended |
|-----------|----------------------|----------------------|------------------------------------|------------|------------|------------|-------------------------|----------|---------|--------|
| M8 | 12119111111 | 320151CXV | 8.0-35.0 | 8.4 | 18 | 50 | 1.8 | Brass | Sn | --- |



Part Number List-

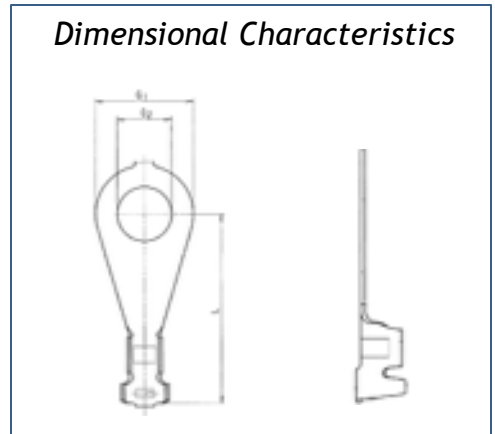
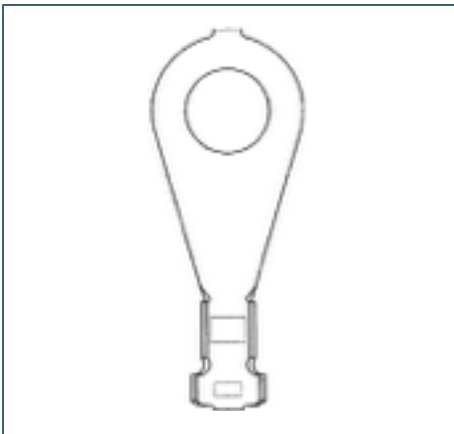
| Bolt Size | Lear T&C Part Number | Lear SEM Part Number | Wire Size Range (mm ²) | Dim D1 (mm) | Dim D2 (mm) | Dim L (mm) | Material Thickness (mm) | Type | Material | Surface | Bended |
|-----------|----------------------|----------------------|------------------------------------|-------------|-------------|------------|-------------------------|------|----------|---------|--------|
| M3 | 25142123011 | 320151F8U | 0.5-1.0 | 3.2 | 6.0 | 10 | 0.6 | 3 | Brass | Sn | 0° |
| M4 | 25467123011 | 320151F9X | 1.5-2.5 | 4.3 | 9.0 | 11.5 | 0.5 | 3 | Brass | Sn | 0° |
| M5 | 25173123011 | 320151F8T | 1.5-2.5 | 5.3 | 9.0 | 11.5 | 0.5 | 3 | Brass | Sn | 0° |
| M4 | 25820111011 | 320151FAS | 4.0-6.0 | 4.05 | 10.0 | 15 | 1.0 | 3 | Brass | Sn | 0° |
| M5 | 25111111011 | 320151FA5 | 4.0-6.0 | 5.3 | 10.0 | 15 | 1.0 | 3 | Brass | Sn | 0° |

Ring Terminals



Part Number List-

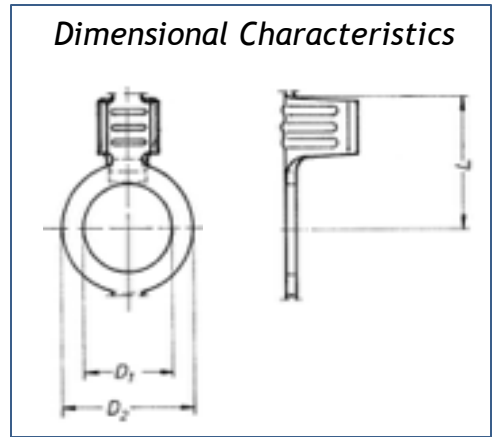
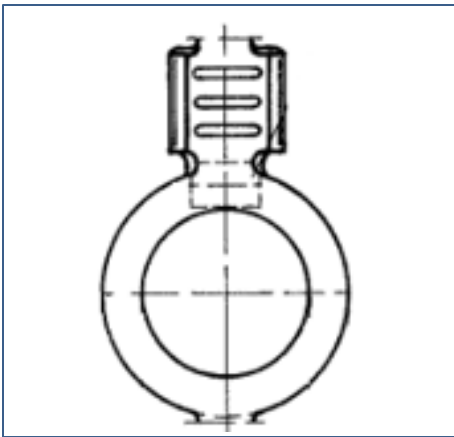
| Bolt Size | Lear T&C Part Number | Lear SEM Part Number | Wire Size Range (mm ²) | Dim D1 (mm) | Dim D2 (mm) | Dim L (mm) | Material Thickness (mm) | Material | Surface | Bended |
|-----------|----------------------|----------------------|------------------------------------|-------------|-------------|------------|-------------------------|----------|---------|--------|
| M4 | 25086123011 | 320290737 | 0.75-1.5 | 4.3 | 8 | 18.25 | 0.75 | Brass | Sn | 0° |
| M5 | 25087123011 | 320272362 | 0.75-1.5 | 5.3 | 9.5 | 17.5 | 0.75 | Brass | Sn | 0° |
| M6 | 25093123011 | 32025Y21Y | 0.75-1.5 | 6.4 | 9.5 | 17.5 | 0.75 | Brass | Sn | 0° |
| M8 | 25089123011 | 3201512R3 | 0.75-1.5 | 8.4 | 14.0 | 21 | 0.75 | Brass | Sn | 0° |



Part Number List-

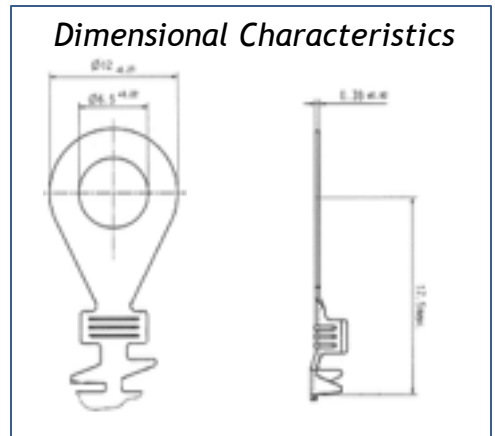
| Bolt Size | Lear T&C Part Number | Lear SEM Part Number | Wire Size Range (mm ²) | Dim G2 (mm) | Dim G1 (mm) | Dim L (mm) | Material Thickness (mm) | Material | Surface | Bended |
|-----------|----------------------|----------------------|------------------------------------|-------------|-------------|------------|-------------------------|----------|---------|--------|
| M5 | 28263122014 | --- | 0.5-1.0 | 5.3 | 12.0 | 22 | 0.6 | Brass | Blank | 0° |
| M5 | 28264122014 | 3201501J3 | 1.0-2.5 | 5.3 | 12.0 | 22 | 0.6 | Brass | Blank | 0° |
| M5 | 28265122014 | 3201501K1 | 2.5-6.0 | 5.3 | 12.0 | 25 | 0.8 | Brass | Blank | 0° |

Ring Terminals



Part Number List-

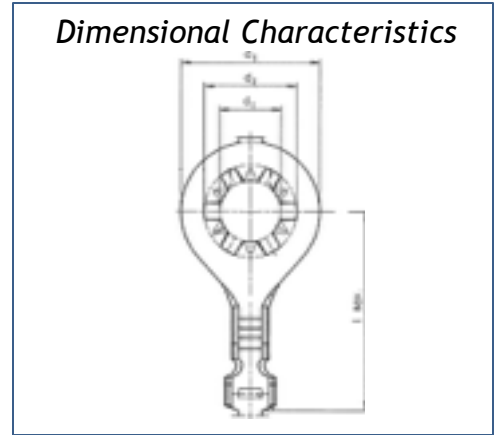
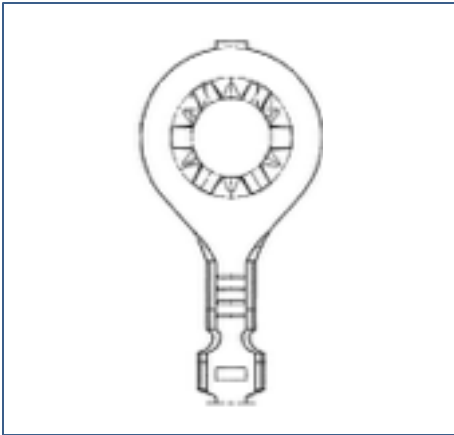
| Bolt Size | Lear T&C Part Number | Lear SEM Part Number | Wire Size Range (mm ²) | Dim D1 (mm) | Dim D2 (mm) | Dim L (mm) | Material Thickness (mm) | Material | Surface | Bended |
|-----------|----------------------|----------------------|------------------------------------|-------------|-------------|------------|-------------------------|----------|---------|--------|
| M2.5 | 25384123031 | 320151F9M | 0.5-1.0 | 2.6 | 5.5 | 5.2 | 0.5 | Brass | Ni | 0° |
| M3 | 25027123011 | --- | 0.5-1.0 | 3.1 | 6.8 | 6.9 | 0.5 | Brass | Sn | 0° |
| M3 | 25292123009 | 320151FAG | 0.5-1.0 | 3.2 | 5.5 | 5.2 | 0.5 | Brass | Blank | 0° |
| M4 | 25028123011 | 320151F9C | 0.5-1.0 | 4.1 | 6.8 | 6.9 | 0.5 | Brass | Sn | 0° |



Part Number List-

| Bolt Size | Lear T&C Part Number | Lear SEM Part Number | Wire Size Range (mm ²) | Dim D1 (mm) | Dim D2 (mm) | Dim L (mm) | Material Thickness (mm) | Material | Surface | Bended |
|-----------|----------------------|----------------------|------------------------------------|-------------|-------------|------------|-------------------------|----------|---------|--------|
| M6 | 25688201009 | 3201515K5 | 0.35 | 6.5 | 12.0 | 17.5 | 0.38 | Bronze | Sn | 0° |
| M6 | 28811000001 | E05575300 | 0.35 | 6.5 | 12.0 | 17.5 | 0.38 | --- | Blank | 0° |

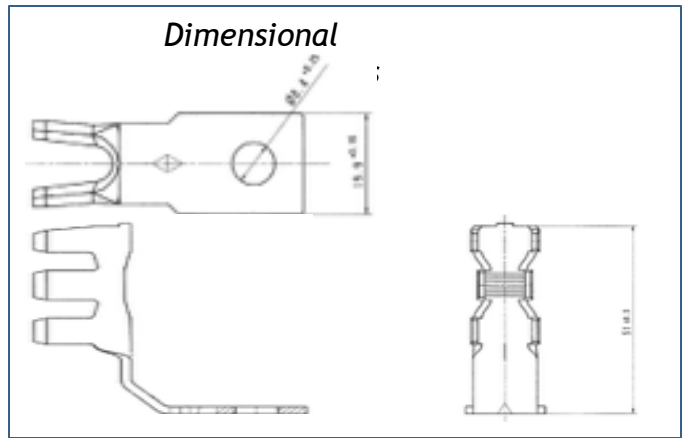
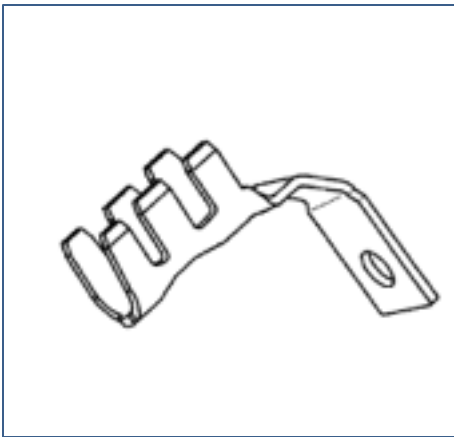
Ring Terminals



Part Number List-

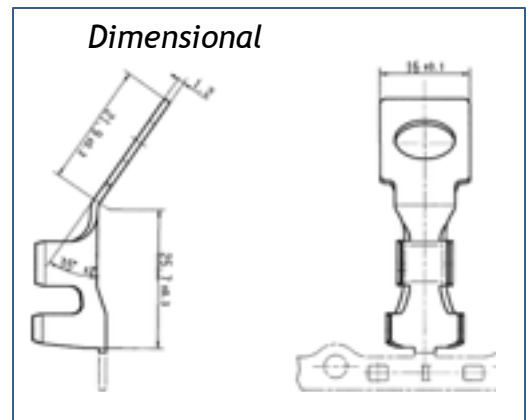
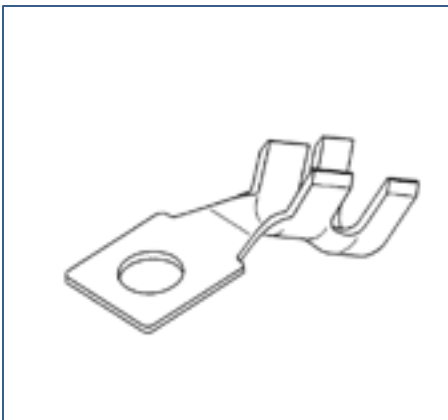
| Bolt Size | Lear T&C Part Number | Lear SEM Part Number | Wire Size Range (mm ²) | Dim D1 (mm) | Dim D3 (mm) | Dim L (mm) | Material Thickness (mm) | Material | Surface | Bended |
|-----------|----------------------|----------------------|------------------------------------|-------------|-------------|------------|-------------------------|----------|---------|--------|
| M5 | 25791214012 | 320270838 | 0.5-1.0 | 5.3 | 12.0 | 22 | 0.6 | Bronze | Sn | 0° |
| M5 | 25803214012 | 320270820 | 1.5-2.5 | 5.3 | 12.0 | 22 | 0.6 | Bronze | Sn | 0° |
| M5 | 25803417011 | 3201515M1 | 1.5-2.5 | 5.3 | 12.0 | 22 | 0.6 | steel | Sn | 0° |
| M5 | 25806214012 | 320270663 | 4.0-6.0 | 5.3 | 12.0 | 25 | 0.8 | Bronze | Sn | 0° |
| M6 | 25801214012 | 320150303 | 0.5-1.0 | 6.5 | 18.5 | 24 | 0.6 | Bronze | Sn | 0° |
| M6 | 25800214012 | 320255862 | 1.5-2.5 | 6.5 | 18.5 | 24 | 0.6 | Bronze | Sn | 0° |
| M6 | 25807214012 | 320270689 | 4.0-6.0 | 6.5 | 18.5 | 27 | 0.8 | Bronze | Sn | 0° |
| M8 | 25809214012 | 3201503C7 | 0.5-1.0 | 8.4 | 18.5 | 24 | 0.6 | Bronze | Sn | 0° |
| M8 | 25804214012 | 3201503M5 | 1.5-2.5 | 8.4 | 18.5 | 24 | 0.6 | Bronze | Sn | 0° |
| M8 | 25808214012 | 320272602 | 4.0-6.0 | 8.4 | 18.5 | 27 | 0.8 | Bronze | Sn | 0° |
| M10 | 25802214012 | 3201503N2 | 0.5-1.0 | 10.5 | 18.5 | 24 | 0.6 | Bronze | Sn | 0° |
| M10 | 25805214012 | 3201502X9 | 1.5-2.5 | 10.5 | 18.5 | 24 | 0.6 | Bronze | Sn | 0° |
| M10 | 25810214012 | 3202506E7 | 4.0-6.0 | 10.5 | 18.5 | 27 | 0.8 | Bronze | Sn | 0° |

Ring Terminals



Part Number List-

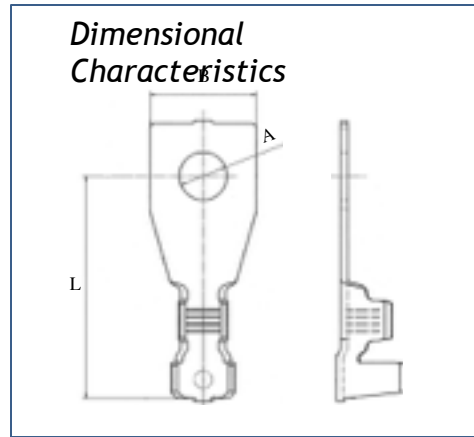
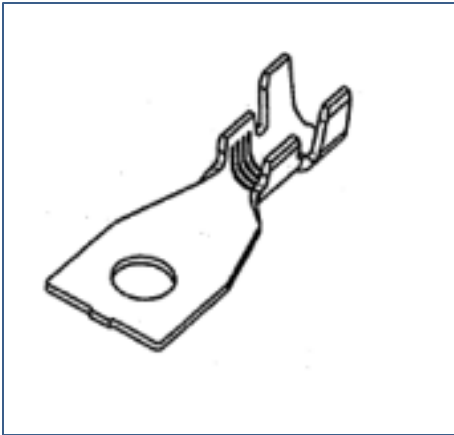
| Bolt Size | Lear T&C Part Number | Lear SEM Part Number | Wire Size Range (mm ²) | Dim A (mm) | Dim B (mm) | Dim L (mm) | Material Thickness (mm) | Material | Surface | Bended |
|-----------|----------------------|----------------------|------------------------------------|------------|------------|------------|-------------------------|----------|---------|--------|
| M8 | 12782212111 | 3201502U6 | 25 | 8.4 | 19.9 | 51 | 2.0 | Bronze | Sn | 90° |



Part Number List-

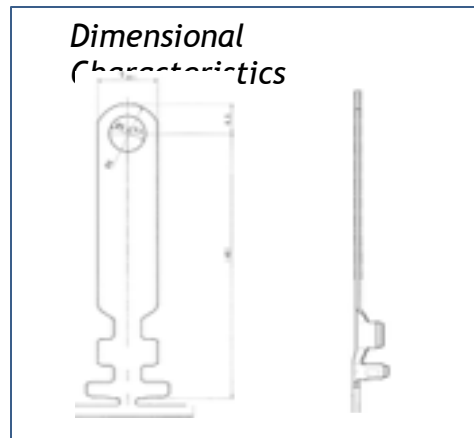
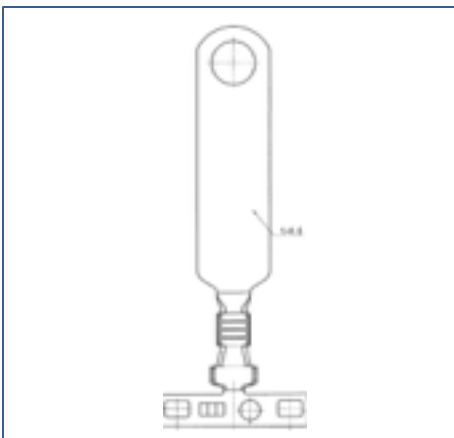
| Bolt Size | Lear T&C Part Number | Lear SEM Part Number | Wire Size Range (mm ²) | Dim A (mm) | Dim B (mm) | Dim L (mm) | Material Thickness (mm) | Material | Surface | Bended |
|-----------|----------------------|----------------------|------------------------------------|------------|------------|------------|-------------------------|----------|---------|--------|
| M8 | 28186201178 | 320151F7S | 10.0-16.0 | 8.4 | 16.0 | 21.9 | 1.2 | Bronze | Sn | 35° |

Ring Terminals



Part Number List-

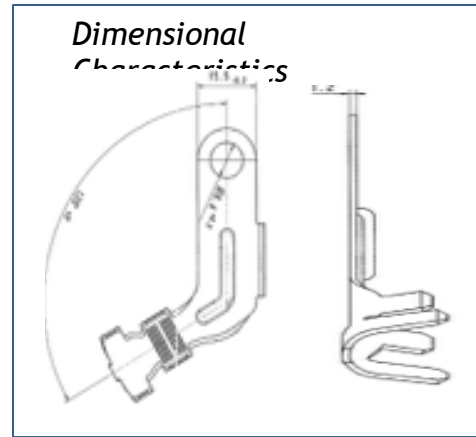
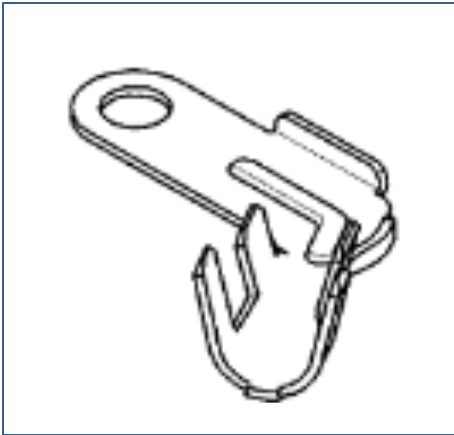
| Bolt Size | Lear T&C Part Number | Lear SEM Part Number | Wire Size Range (mm ²) | Dim A (mm) | Dim B (mm) | Dim L (mm) | Material Thickness (mm) | Material | Surface | Bended |
|-----------|----------------------|----------------------|------------------------------------|------------|------------|------------|-------------------------|--------------|---------|--------|
| M5 | 28153331011 | E01131500 | 4.0-6.0 | 5.4 | 12.0 | 25 | 0.8 | copper alloy | Sn | 0° |
| M5 | 28154212178 | 320151244 | 10.0-16.0 | 5.4 | 12.0 | 36 | 1.2 | Bronze | Sn | 0° |



Part Number List-

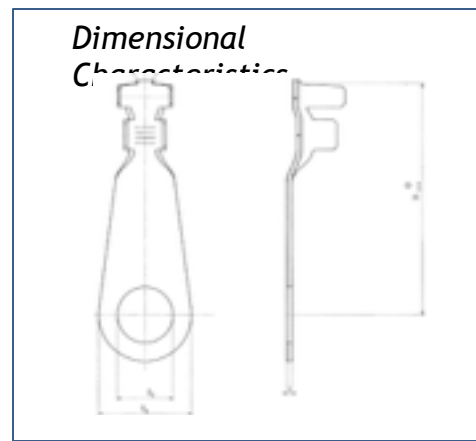
| Bolt Size | Lear T&C Part Number | Lear SEM Part Number | Wire Size Range (mm ²) | Dim A (mm) | Dim B (mm) | Dim L (mm) | Material Thickness (mm) | Material | Surface | Bended |
|-----------|----------------------|----------------------|------------------------------------|------------|------------|------------|-------------------------|--------------|---------|--------|
| M5 | 28209331179 | 320151F7M | 1.5-2.5 | 5.4 | 9.0 | 40 | 0.6 | copper alloy | Sn | 0° |

Ring Terminals



Part Number List-

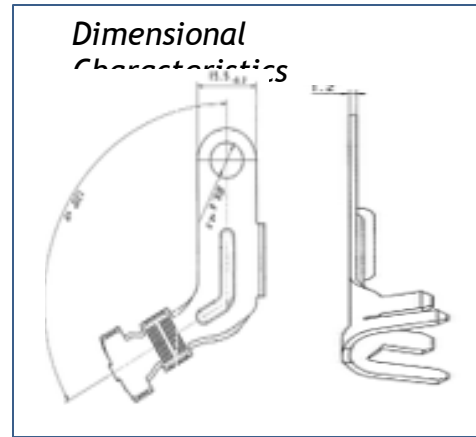
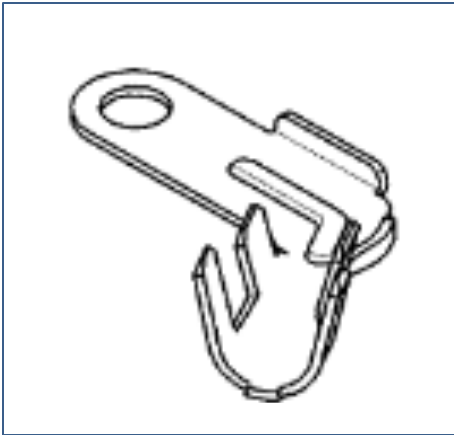
| Bolt Size | Lear T&C Part Number | Lear SEM Part Number | Wire Size Range (mm ²) | Dim A (mm) | Dim B (mm) | Dim L (mm) | Material Thickness (mm) | Material | Surface | Bended |
|-----------|----------------------|----------------------|------------------------------------|------------|------------|------------|-------------------------|----------|---------|---------|
| M8 | 28177201178 | 3201512B8 | 8.0-16.0 | 8.4 | 15.5 | --- | 1.2 | Bronze | Sn | 120°±3° |
| M8 | 28270201178 | --- | 25.0-35.0 | 8.4 | 15.5 | --- | 1.2 | Bronze | Sn | 120°±3° |



Part Number List-

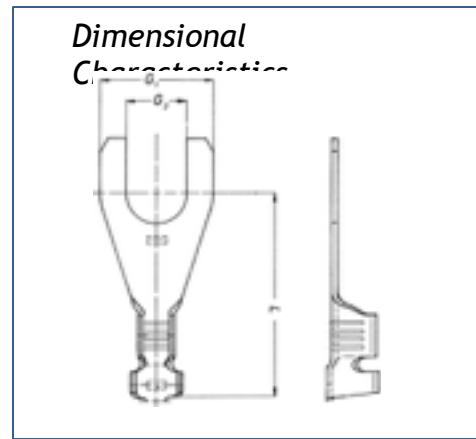
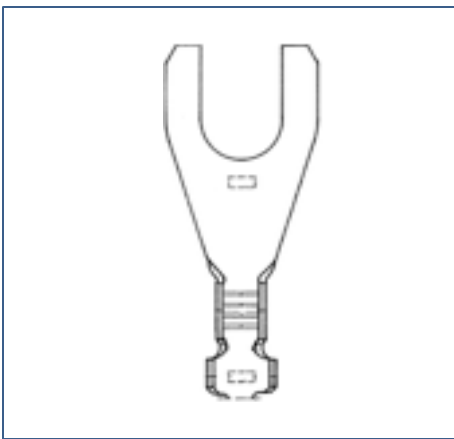
| Bolt Size | Lear T&C Part Number | Lear SEM Part Number | Wire Size Range (mm ²) | Dim A (mm) | Dim B (mm) | Dim L (mm) | Material Thickness (mm) | Material | Surface | Bended |
|-----------|----------------------|----------------------|------------------------------------|------------|------------|------------|-------------------------|----------|---------|--------|
| M6 | 28367201179 | 3201512K8 | 4.0-6.0 | 6.4 | 12.0 | 35 | 1.0 | Bronze | Sn | 0° |
| M6 | 28369201179 | 3201512M4 | 6.0-1.0 | 6.4 | 12.0 | 35 | 1.0 | Bronze | Sn | 0° |
| M8 | 28368201179 | 3201512L6 | 4.0-6.0 | 8.4 | 14.0 | 35 | 1.0 | Bronze | Sn | 0° |
| M8 | 28437201179 | 3201512P7 | 6.0-10.0 | 8.4 | 14.0 | 35 | 1.0 | Bronze | Sn | 0° |

Ring Terminals



Part Number List-

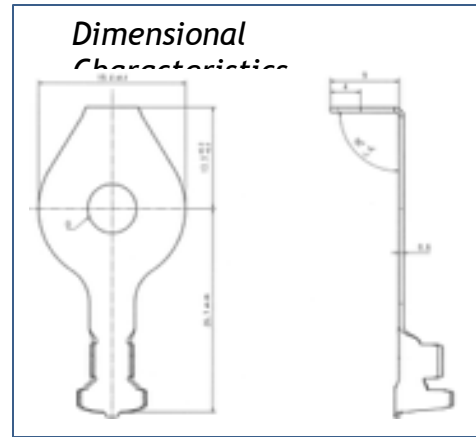
| Bolt Size | Lear T&C Part Number | Lear SEM Part Number | Wire Size Range (mm ²) | Dim A (mm) | Dim B (mm) | Dim L (mm) | Material Thickness (mm) | Material | Surface | Bended |
|-----------|----------------------|----------------------|------------------------------------|------------|------------|------------|-------------------------|----------|---------|---------|
| M8 | 28177201178 | 3201512B8 | 8.0-16.0 | 8.4 | 15.5 | --- | 1.2 | Bronze | Sn | 120°±3° |
| M8 | 28270201178 | --- | 25.0-35.0 | 8.4 | 15.5 | --- | 1.2 | Bronze | Sn | 120°±3° |



Part Number List-

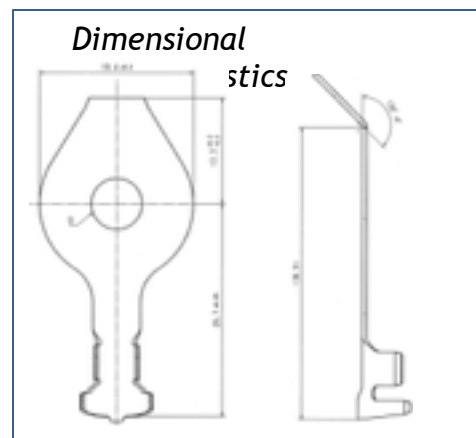
| Bolt Size | Lear T&C Part Number | Lear SEM Part Number | Wire Size Range (mm ²) | Dim G2 (mm) | Dim G1 (mm) | Dim L (mm) | Material Thickness (mm) | Material | Surface | Bended |
|-----------|----------------------|----------------------|------------------------------------|-------------|-------------|------------|-------------------------|----------|---------|--------|
| M4 | 25204123011 | 320151F96 | 0.5-1.0 | 4.3 | 8.0 | 18 | 0.6 | Brass | Sn | 0° |
| M4 | 25216123011 | 320151F7A | 1.0-2.5 | 4.3 | 8.0 | 18 | 0.6 | Brass | Sn | 0° |
| M4 | 25230123011 | 320151F7X | 2.5-6.0 | 4.3 | 8.0 | 21 | 0.8 | Brass | Sn | 0° |
| M5 | 25218123011 | 320151FA6 | 1.0-2.5 | 5.3 | 9.5 | 17.25 | 0.6 | Brass | Sn | 0° |

Ring Terminals



Part Number List-

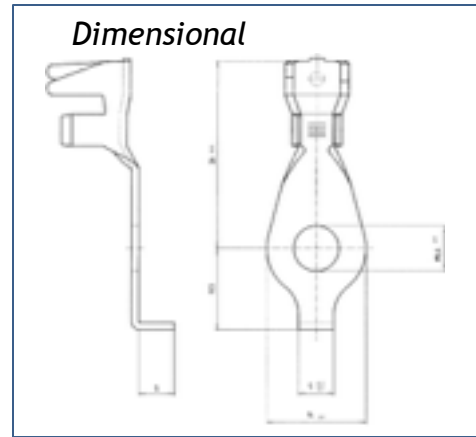
| Bolt Size | Lear T&C Part Number | Lear SEM Part Number | Wire Size Range (mm ²) | Dim D (mm) | Dim B (mm) | Dim L (mm) | Material Thickness (mm) | Material | Surface | Bended |
|-----------|----------------------|----------------------|------------------------------------|------------|------------|------------|-------------------------|----------|---------|--------|
| M6 | 28474201179 | 320150AN4 | 0.5-1.0 | 6.4 | 19.4 | 26.7 | 0.6 | Bronze | Sn | 0° |
| M6 | 28475201179 | 320151F0W | 1.5-2.5 | 6.4 | 19.4 | 26.7 | 0.6 | Bronze | Sn | 0° |
| M6 | 28476201179 | 320151F54 | 2.5-4.0 | 6.4 | 19.4 | 26.7 | 0.6 | Bronze | Sn | 0° |
| M6 | 28477201179 | 320151F0V | 4.0-6.0 | 6.4 | 19.4 | 26.7 | 0.6 | Bronze | Sn | 0° |
| M8 | 28726000001 | E00008237 | 1.5-2.5 | 8.4 | 19.4 | 26.7 | 0.6 | --- | Blank | 0° |
| M8 | 28572201179 | 320151FL2 | 2.5-4.0 | 8.4 | 19.4 | 26.7 | 0.6 | Bronze | Sn | 0° |



Part Number List-

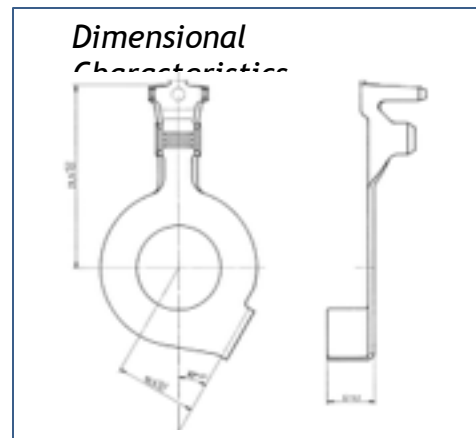
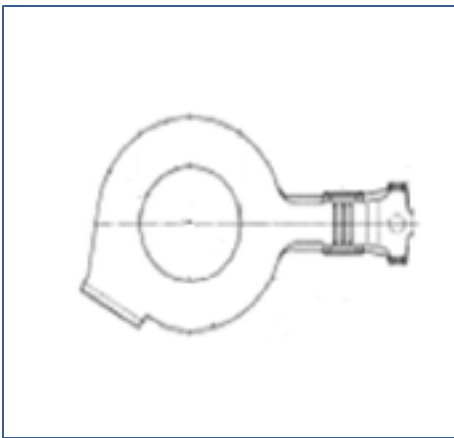
| Bolt Size | Lear T&C Part Number | Lear SEM Part Number | Wire Size Range (mm ²) | Dim D (mm) | Dim B (mm) | Dim L (mm) | Material Thickness (mm) | Material | Surface | Bended |
|-----------|----------------------|----------------------|------------------------------------|------------|------------|------------|-------------------------|----------|---------|--------|
| M8 | 28669000001 | 320151FQT | 2.5-4.0 | 8.4 | 19.4 | 26.7 | 0.6 | --- | Blank | 0° |

Ring Terminals



Part Number List-

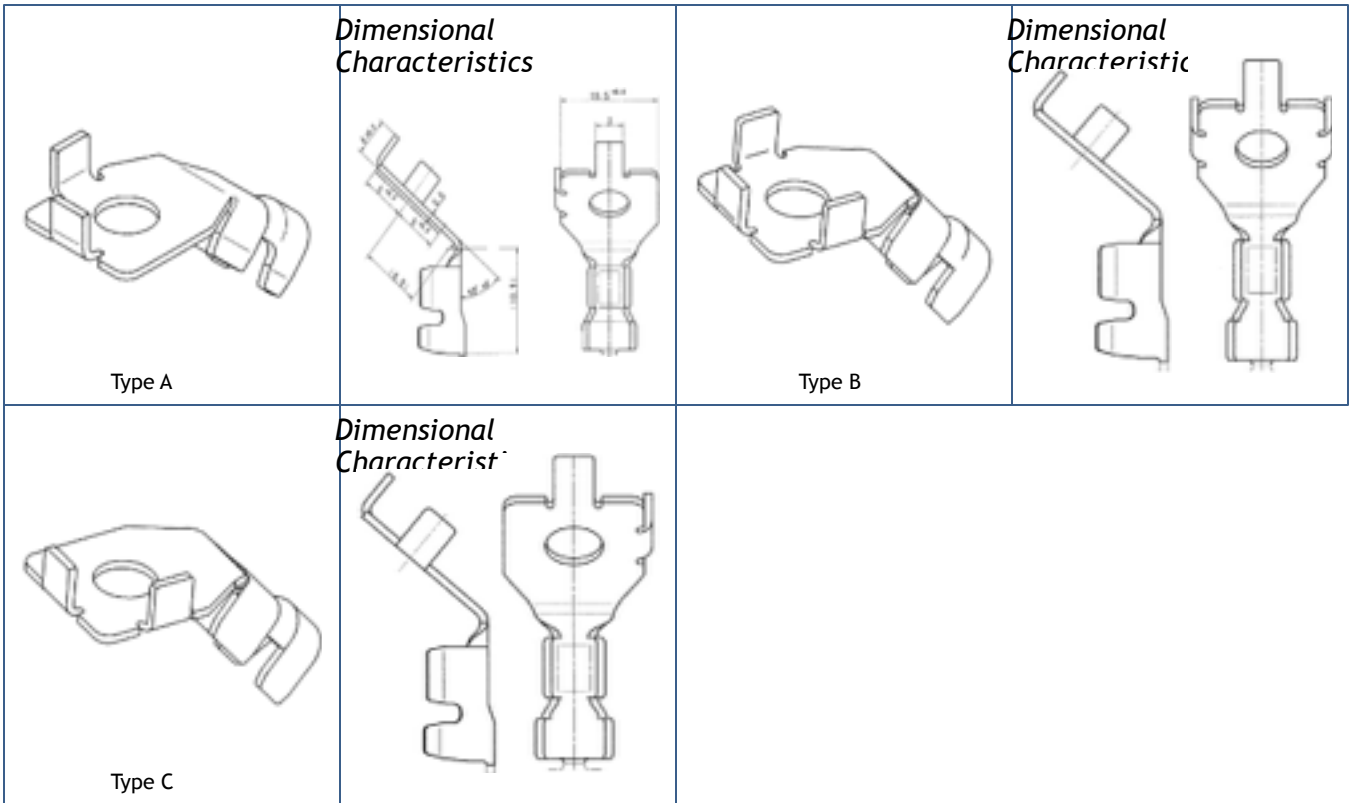
| Bolt Size | Lear T&C Part Number | Lear SEM Part Number | Wire Size Range (mm ²) | Dim D (mm) | Dim B (mm) | Dim L (mm) | Material Thickness (mm) | Material | Surface | Bended |
|-----------|----------------------|----------------------|------------------------------------|------------|------------|------------|-------------------------|----------|---------|--------|
| M6 | 25721213190 | 3201515L3 | 6.0-10.0 | 6.4 | 14.0 | 26 | 1.0 | Bronze | Sn | 0° |



Part Number List-

| Bolt Size | Lear T&C Part Number | Lear SEM Part Number | Wire Size Range (mm ²) | Dim A (mm) | Dim B (mm) | Dim L (mm) | Material Thickness (mm) | Material | Surface | Bended |
|-----------|----------------------|----------------------|------------------------------------|------------|------------|------------|-------------------------|----------|---------|--------|
| M10 | 12488143011 | 320151F8R | 3.15-6.0 | 10.7 | 20.0 | 23.8 | 0.7 | Brass | Sn | 0° |

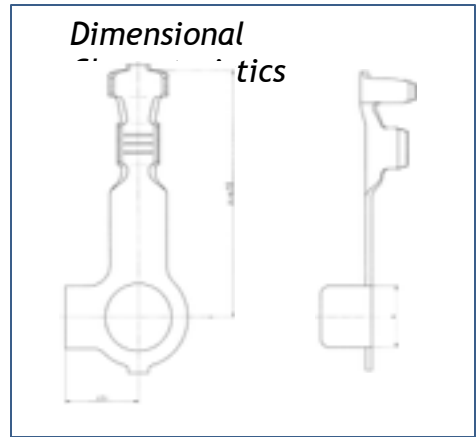
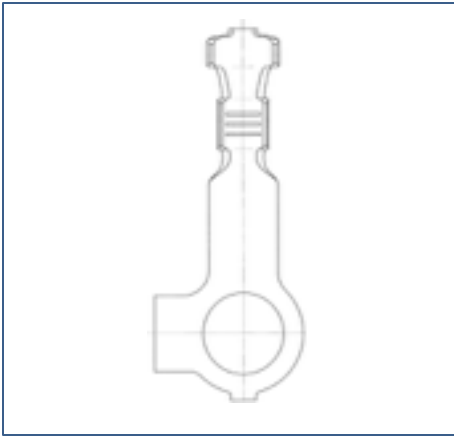
Ring Terminals



Part Number List-

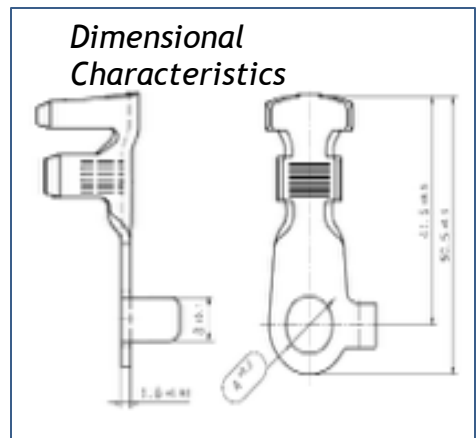
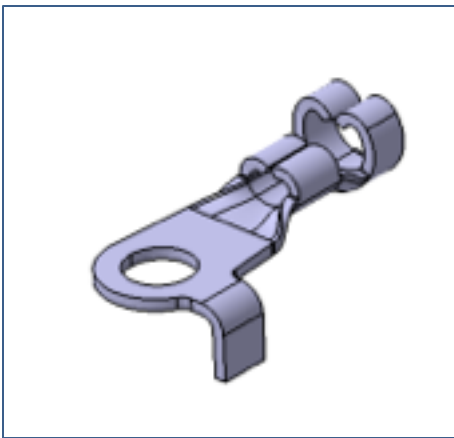
| Bolt Size | Lear T&C Part Number | Lear SEM Part Number | Wire Size Range (mm ²) | Dim D (mm) | Dim B (mm) | Dim L (mm) | Material Thickness (mm) | Material | Surface | Bended | Type |
|-----------|----------------------|----------------------|------------------------------------|------------|------------|------------|-------------------------|----------|---------|--------|------|
| M4 | 28184201178 | 320151F9W | 1.5-2.5 | 4.3 | 10.5 | --- | 0.6 | Bronze | Sn | 50°±3° | A |
| M4 | 28192201178 | --- | 1.5-2.5 | 4.3 | 10.5 | --- | 0.6 | Bronze | Sn | 50°±3° | B |
| M4 | 28337201178 | --- | 1.5-2.5 | 4.3 | 10.5 | --- | 0.6 | Bronze | Sn | 50°±3° | C |

Ring Terminals



Part Number List-

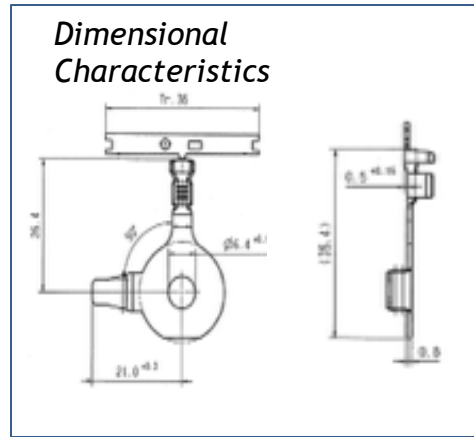
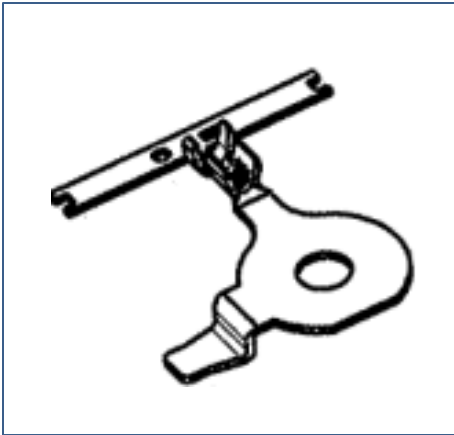
| Bolt Size | Lear T&C Part Number | Lear SEM Part Number | Wire Size Range (mm ²) | Dim D (mm) | Dim B (mm) | Dim L (mm) | Material Thickness (mm) | Material | Surface | Bended |
|-----------|----------------------|----------------------|------------------------------------|------------|------------|------------|-------------------------|----------|---------|--------|
| M6 | 28257213179 | 320151F81 | 0.75 | 6.4 | 9.5 | 23.45 | 0.6 | Bronze | Sn | 0° |



Part Number List-

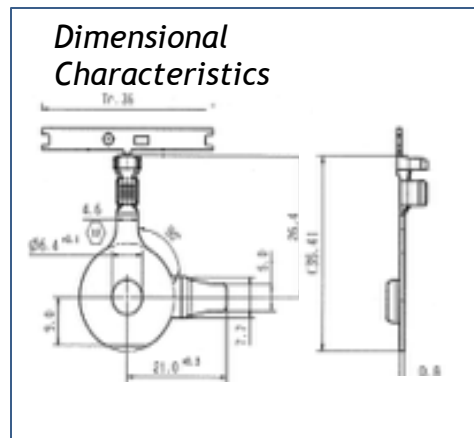
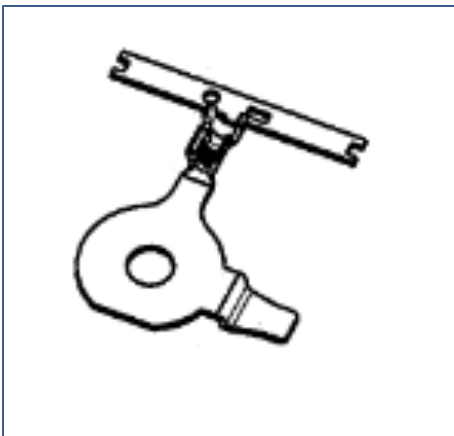
| Bolt Size | Lear T&C Part Number | Lear SEM Part Number | Wire Size Range (mm ²) | Dim A (mm) | Dim B (mm) | Dim L (mm) | Material Thickness (mm) | Material | Surface | Bended |
|-----------|----------------------|----------------------|------------------------------------|------------|------------|------------|-------------------------|----------|---------|--------|
| M10 | 28580000001 | E00005332 | 25-35 | 10.5 | 18 | 41.5 | 1.6 | CuZn37 | Sn3 | 0° |

Ring Terminals



Part Number List-

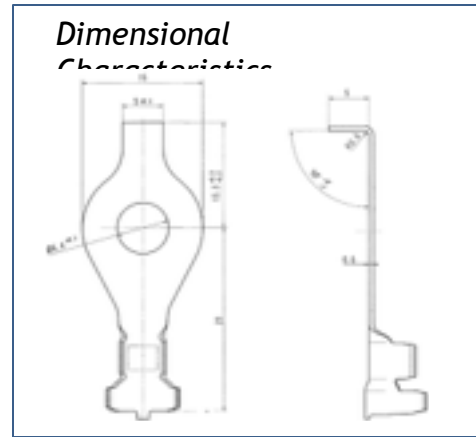
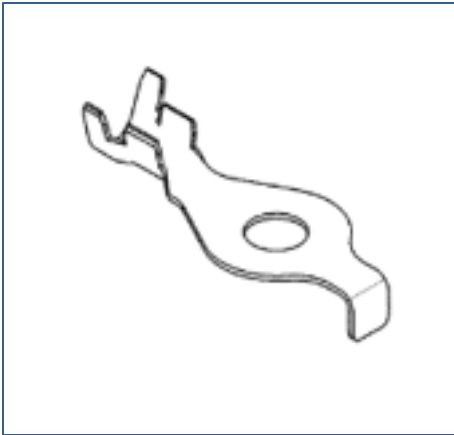
| Bolt Size | Lear T&C Part Number | Lear SEM Part Number | Wire Size Range (mm ²) | Dim D (mm) | Dim B (mm) | Dim L (mm) | Material Thickness (mm) | Material | Surface | Bended |
|-----------|----------------------|----------------------|------------------------------------|------------|------------|------------|-------------------------|----------|----------|---------|
| M6 | 28718000001 | E01776600 | 1.5-2.5 | 6.4 | 20 | 26.4 | 0.8 | CuSn4 | FrSn 2+2 | 90°left |



Part Number List-

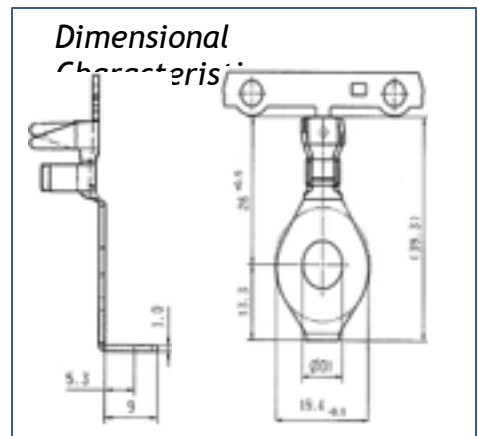
| Bolt Size | Lear T&C Part Number | Lear SEM Part Number | Wire Size Range (mm ²) | Dim A (mm) | Dim B (mm) | Dim L (mm) | Material Thickness (mm) | Material | Surface | Bended |
|-----------|----------------------|----------------------|------------------------------------|------------|------------|------------|-------------------------|----------|----------|----------|
| M6 | 28719000001 | E01804000 | 1.5-2.5 | 6.4 | 20 | 26.4 | 0.8 | CuSn4 | FrSn 2+2 | 90°right |

Ring Terminals



Part Number List-

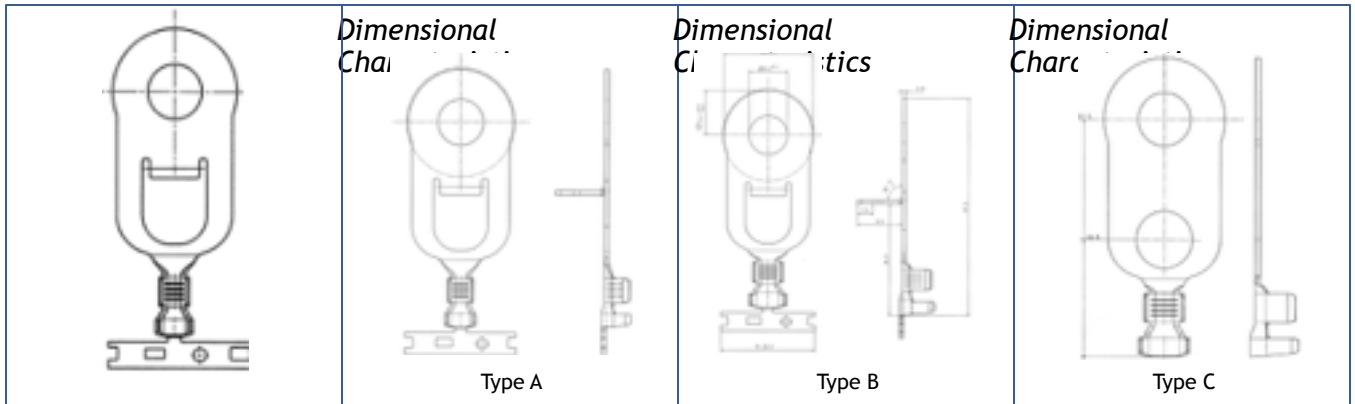
| Bolt Size | Lear T&C Part Number | Lear SEM Part Number | Wire Size Range (mm ²) | Dim D (mm) | Dim B (mm) | Dim L (mm) | Material Thickness (mm) | Material | Surface | Bended |
|-----------|----------------------|----------------------|------------------------------------|------------|------------|------------|-------------------------|----------|---------|--------|
| M6 | 28291201179 | 3201507H2 | 0.5-1.0 | 6.4 | 15 | 23 | 0.6 | Bronze | Sn | 0° |
| M6 | 28292201179 | 3201504J0 | 1.5-2.5 | 6.4 | 15 | 23 | 0.6 | Bronze | Sn | 0° |
| M6 | 28293201179 | 3201506P5 | 2.5-4.0 | 6.4 | 15 | 23 | 0.6 | Bronze | Sn | 0° |
| M6 | 28294201179 | 3201512C6 | 4.0-6.0 | 6.4 | 15 | 23 | 0.6 | Bronze | Sn | 0° |



Part Number List-

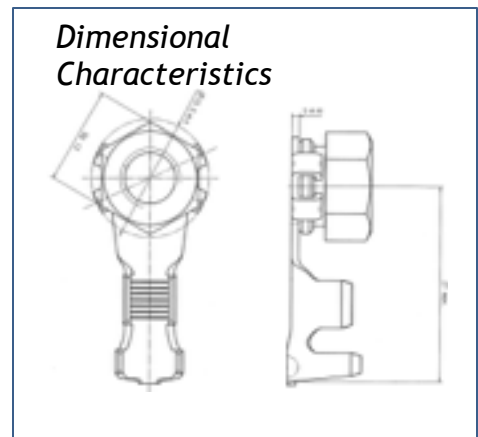
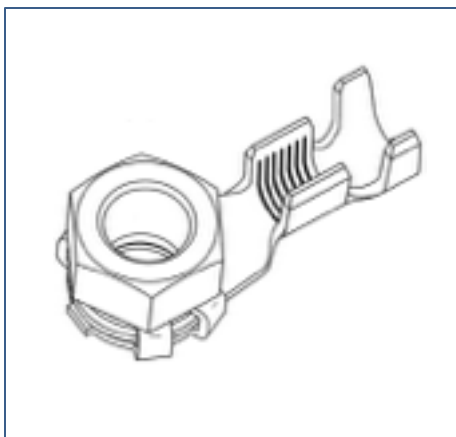
| Bolt Size | Lear T&C Part Number | Lear SEM Part Number | Wire Size Range (mm ²) | Dim D1 (mm) | Dim B (mm) | Dim L (mm) | Material Thickness (mm) | Material | Surface | Bended |
|-----------|----------------------|----------------------|------------------------------------|-------------|------------|------------|-------------------------|----------|---------|--------|
| M6 | 28503201179 | 320151FH2 | 6.0-10.0 | 6.4 | 19.4 | 26 | 1.0 | Bronze | Sn | 0° |
| M8 | 28668000001 | 320151FQP | 6.0-10.0 | 8.4 | 19.4 | 26 | 1.0 | --- | Blank | 0° |

Ring Terminals



Part Number List-

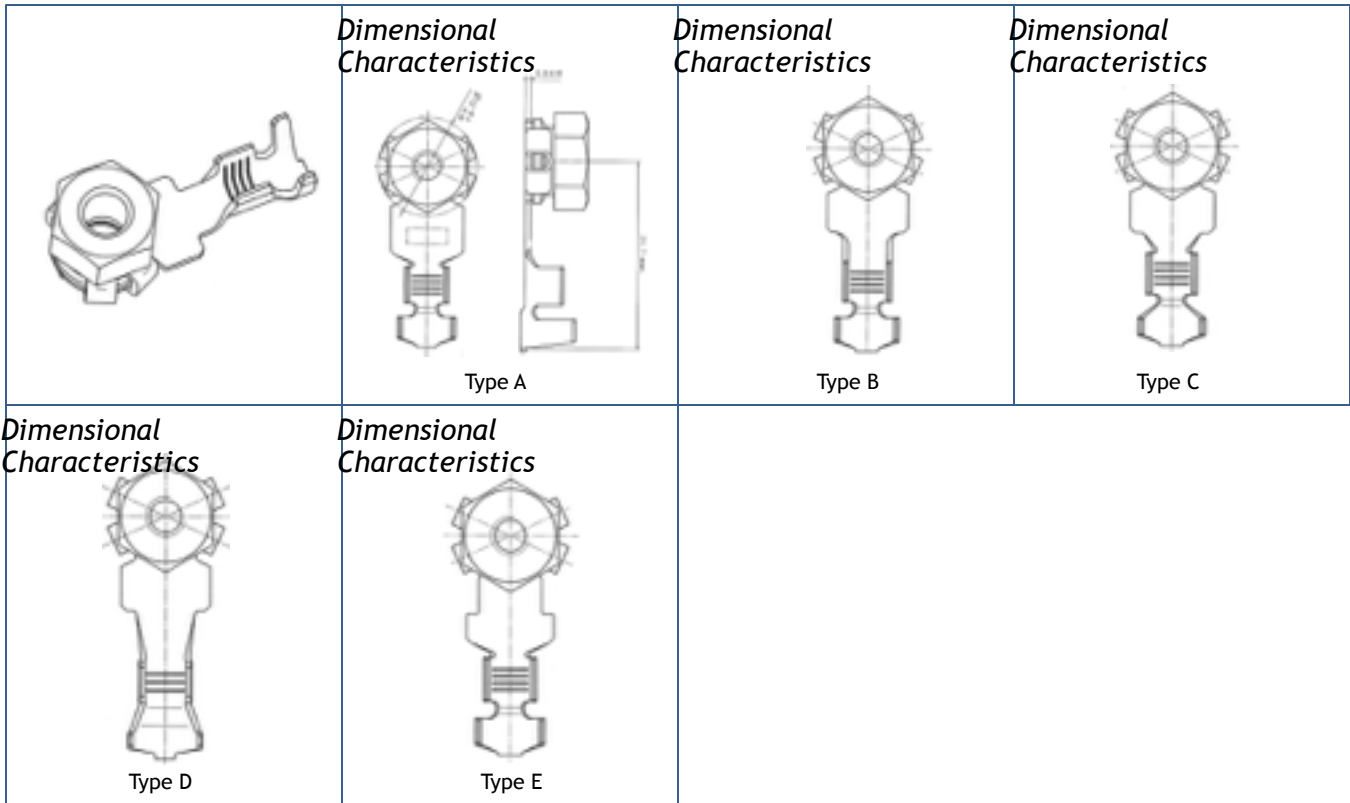
| Bolt Size | Lear T&C Part Number | Lear SEM Part Number | Wire Size Range (mm ²) | Dim D (mm) | Dim B (mm) | Dim L (mm) | Material Thickness (mm) | Material | Surface | Bended | Type |
|-----------|----------------------|----------------------|------------------------------------|------------|------------|------------|-------------------------|----------|----------|--------|------|
| M8 | 28670000001 | 320151FQU | 1.5-2.5 | 8.4 | 19.4 | 37.5 | 0.8 | CuSn4 | FrSn 3+3 | 0° | A |
| M8 | 28571201179 | 320151FL1 | 4.0-6.0 | 8.4 | 19.4 | 37.5 | 0.8 | CuSn4 | FrSn 3+3 | 0° | B |
| M8 | 28964000001 | E06786400 | 4.0-6.0 | 8.4 | 19.4 | 37.5 | 0.8 | CuSn4 | FrSn 3+3 | 0° | C |



Part Number List-

| Bolt Size | Lear T&C Part Number | Lear SEM Part Number | Wire Size Range (mm ²) | Dim A (mm) | Dim B (mm) | Dim L (mm) | Material Thickness (mm) | Material | Surface | Bended | Torque (Nm) |
|-----------|----------------------|----------------------|------------------------------------|------------|------------|------------|-------------------------|--------------|---------|--------|-------------|
| M8 | 26306212179 | 320272917 | 6.0-10.0 | 8.3 | 15.5 | 27max | 1.0 | Bronze | Sn | 0° | 18 |
| M8 | 26306331179 | E02578500 | 6.0-10.0 | 8.3 | 15.5 | 27max | 1.0 | copper alloy | Sn | 0° | 18 |
| M8 | 26606122009 | E02578400 | 6.0-10.0 | 8.3 | 15.5 | 27max | 1.0 | Brass | Blank | 0° | 18 |
| M8 | 26742122179 | E02578200 | 6.0-10.0 | 8.3 | 15.5 | 27max | 1.0 | Brass | Sn | 0° | 18 |

Ring Terminals



Part Number List-

| Bolt Size | Lear T&C Part Number | Lear SEM Part Number | Wire Size Range (mm ²) | Dim A (mm) | Dim B (mm) | Dim L (mm) | Material Thickness (mm) | Material | Surface | Bended | Torque (Nm) | Type |
|-----------|----------------------|----------------------|------------------------------------|------------|------------|------------|-------------------------|----------|---------|--------|-------------|------|
| M4 | 25538212179 | 3202554C3 | 0.75-1.5 | --- | 12.0 | 21.7max | 0.8 | Bronze | Sn | 0° | 3.5 | A |
| M4 | 26407212179 | 320150154 | 0.75-1.5 | --- | 12.0 | 21.7max | 0.8 | Bronze | Sn | 0° | 3.5 | A |
| M4 | 26974212179 | 320151F70 | 0.75-1.5 | --- | 12.0 | 21.7max | 0.8 | Bronze | Sn | 0° | 3.5 | A |
| M4 | 28278212179 | 3201501Z6 | 0.75-1.5 | --- | 12.0 | 21.7max | 0.8 | Bronze | Sn | 0° | 3.5 | A |
| M4 | 28456212179 | 320151F7P | 0.75-1.5 | --- | 12.0 | 21.7max | 0.8 | Bronze | Sn | 0° | 3.5 | E |
| M4 | 25360212179 | 3201515F6 | 1.5-2.5 | --- | 12.0 | 21.7max | 0.8 | Bronze | Sn | 0° | 3.5 | B |
| M4 | 28073212179 | 3201511B9 | 1.5-2.5 | --- | 12.0 | 21.7max | 0.8 | Bronze | Sn | 0° | 3.5 | B |
| M4 | 28778000001 | E01701200 | 1.5-2.5 | --- | 12.0 | 21.7max | 0.8 | --- | Blank | 0° | 3.5 | B |
| M4 | 26812212179 | 320250A52 | 3.0-6.0 | --- | 12.0 | 21.7max | 0.8 | Bronze | Sn | 0° | 3.5 | D |
| M4 | 26582212179 | E02594200 | 4.0-6.0 | --- | 12.0 | 21.7max | 0.8 | Bronze | Sn | 0° | 3.5 | C |

Ring Terminals

| | | | |
|--|---|--|--|
| | <p><i>Dimensional Characteristics</i></p> | <p><i>Dimensional Characteristics</i></p> <p>Type A, Coding: L</p> | <p><i>Dimensional Characteristics</i></p> <p>Type A, Coding: R</p> |
| <p><i>Dimensional Charact</i></p> <p>Type B, Coding: none</p> | <p><i>Dimensional Characteristics</i></p> <p>Type C, Coding: none</p> | <p><i>Dimensional Characteristics</i></p> <p>Type C, Coding: L</p> | <p><i>Dimensional Charac</i></p> <p>Type C, Coding: R</p> |
| <p><i>Dimensional Characte</i></p> <p>Type D, Coding: none</p> | <p><i>Dimensional Characteristics</i></p> <p>Type E, Coding: none</p> | <p><i>Dimensional Charac</i></p> <p>Type F, Coding: none</p> | |

Part Number List-

| Bolt Size | Lear T&C Part Number | Lear SEM Part Number | Wire Size Range (mm ²) | Dim A (mm) | Dim B (mm) | Dim L (mm) | Material Thickness (mm) | Material | Surface | Bended | Torque (Nm) | Type | Coding |
|-----------|----------------------|----------------------|------------------------------------|------------|------------|------------|-------------------------|----------|---------|--------|-------------|------|--------|
| M5 | 26408212179 | 320151FCH | 0.75-1.5 | 5.2 | 12.0 | 21.7max | 0.8 | Bronze | Sn | 0° | 4.5 | A | none |
| M5 | 28077122179 | E02631400 | 0.75-1.5 | 5.2 | 12.0 | 21.7max | 0.8 | Brass | Sn | 0° | 4.5 | A | none |

Ring Terminals

Part Number List-

| Bolt Size | Lear T&C Part Number | Lear SEM Part Number | Wire Size Range (mm ²) | Dim A (mm) | Dim B (mm) | Dim L (mm) | Material Thickness (mm) | Material | Surface | Bended | Torque (Nm) | Type | Coding |
|-----------|----------------------|----------------------|------------------------------------|------------|------------|------------|-------------------------|----------|---------|--------|-------------|------|--------|
| M5 | 26975212179 | 320151FB4 | 0.75-1.5 | 5.2 | 12.0 | 21.7max | 0.8 | Bronze | Sn | 0° | 4.5 | A | none |
| M5 | 28084122179 | 320151FB6 | 0.75-1.5 | 5.2 | 12.0 | 21.7max | 0.8 | Bronze | Sn | 0° | 4.5 | A | R |
| M5 | 28085122179 | E02631500 | 0.75-1.5 | 5.2 | 12.0 | 21.7max | 0.8 | Bronze | Sn | 0° | 4.5 | A | L |
| M5 | 26712122009 | E02631600 | 0.75-1.5 | 5.2 | 12.0 | 21.7max | 0.8 | Bronze | Sn | 0° | 4.5 | A | R |
| M5 | 26712122179 | 3202505K5 | 0.75-1.5 | 5.2 | 12.0 | 21.7max | 0.8 | Bronze | Sn | 0° | 4.5 | A | R |
| M5 | 26713122179 | 320272503 | 0.75-1.5 | 5.2 | 12.0 | 21.7max | 0.8 | Bronze | Sn | 0° | 4.5 | A | L |
| M5 | 25630212179 | 3202519T7 | 0.75-1.5 | 5.2 | 12.0 | 21.7max | 0.8 | Bronze | Sn | 0° | 4.5 | A | none |
| M5 | 28011122179 | E02631700 | 0.75-1.5 | 5.2 | 12.0 | 21.7max | 0.8 | Bronze | Sn | 0° | 4.5 | A | none |
| M5 | 26758122009 | E02631800 | 0.75-1.5 | 5.2 | 12.0 | 21.7max | 0.8 | Bronze | Sn | 0° | 4.5 | A | none |
| M5 | 26758122179 | E02631900 | 0.75-1.5 | 5.2 | 12.0 | 21.7max | 0.8 | Bronze | Sn | 0° | 4.5 | A | none |
| M5 | 28314212179 | 320151F72 | 0.75-1.5 | 5.2 | 12.0 | 21.7max | 0.8 | Bronze | Sn | 0° | 4.5 | A | none |
| M5 | 28458212179 | 320151F9S | 0.75-1.5 | 5.2 | 12.0 | 21.7max | 0.8 | Bronze | Sn | 0° | 4.5 | F | none |
| M5 | 25248212179 | 3202533K1 | 1.5-2.5 | 5.2 | 12.0 | 21.7max | 0.8 | Bronze | Sn | 0° | 4.5 | B | none |
| M5 | 28514212179 | 320151CZ2 | 1.5-2.5 | 5.2 | 12.0 | 21.7max | 0.8 | Bronze | Sn | 0° | 4.5 | B | none |
| M5 | 26718122179 | E02632500 | 1.5-2.5 | 5.2 | 12.0 | 21.7max | 0.8 | Bronze | Sn | 0° | 4.5 | B | none |
| M5 | 26718212179 | E02632500 | 1.5-2.5 | 5.2 | 12.0 | 21.7max | 0.8 | Bronze | Sn | 0° | 4.5 | B | none |
| M5 | 28074212179 | E02632900 | 1.5-2.5 | 5.2 | 12.0 | 21.7max | 0.8 | Bronze | Sn | 0° | 4.5 | B | none |
| M5 | 25020212179 | 3202544J0 | 3.0-6.0 | 5.2 | 12.0 | 21.7max | 0.8 | Bronze | Sn | 0° | 4.5 | E | none |
| M5 | 28515212179 | 320151CY0 | 3.0-6.0 | 5.2 | 12.0 | 21.7max | 0.8 | Bronze | Sn | 0° | 4.5 | E | none |
| M5 | 28092212179 | E02633200 | 3.0-6.0 | 5.2 | 12.0 | 21.7max | 0.8 | Bronze | Sn | 0° | 4.5 | E | none |
| M5 | 26760122179 | E02633700 | 4.0-6.0 | 5.2 | 12.0 | 21.7max | 0.8 | Bronze | Sn | 0° | 4.5 | C | none |
| M5 | 28010122179 | E01923200 | 4.0-6.0 | 5.2 | 12.0 | 21.7max | 0.8 | Bronze | Sn | 0° | 4.5 | C | none |
| M5 | 26748122009 | E02634100 | 4.0-6.0 | 5.2 | 12.0 | 21.7max | 0.8 | Bronze | Sn | 0° | 4.5 | C | none |
| M5 | 26749122179 | 320275290 | 4.0-6.0 | 5.2 | 12.0 | 21.7max | 0.8 | Bronze | Sn | 0° | 4.5 | C | L |
| M5 | 26748122009 | E02634000 | 4.0-6.0 | 5.2 | 12.0 | 21.7max | 0.8 | Bronze | Sn | 0° | 4.5 | C | R |
| M5 | 28471122179 | 3201511U5 | 6.0-10.0 | 5.2 | 12.5 | 27max | 1.0 | Bronze | Sn | 0° | 4.5 | D | none |
| M5 | 28517122179 | 320151F8P | 6.0-10.0 | 5.2 | 12.5 | 27max | 1.0 | Bronze | Sn | 0° | 4.5 | D | none |
| M5 | 26745122179 | 320151673 | 6.0-10.0 | 5.2 | 12.5 | 27max | 1.0 | Bronze | Sn | 0° | 4.5 | D | none |

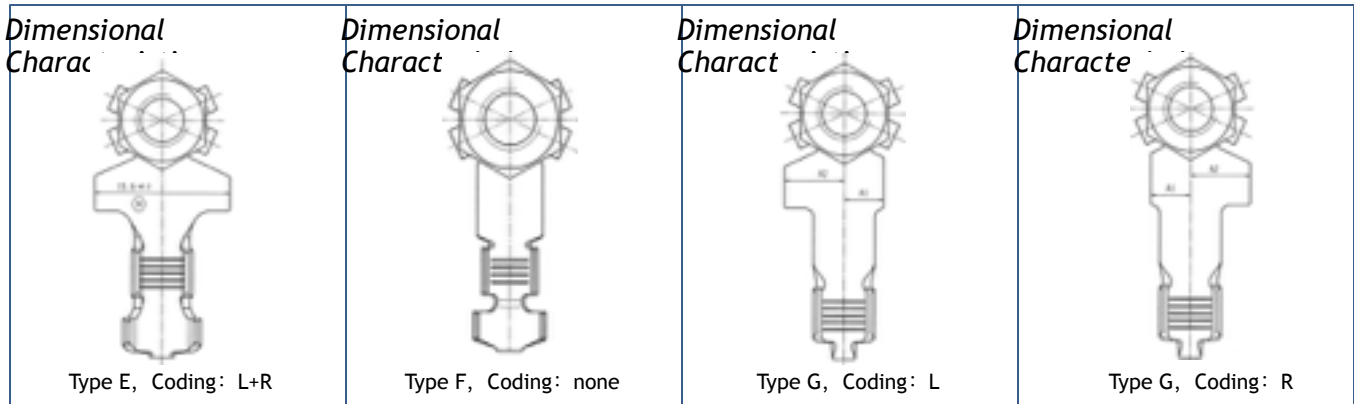
Ring Terminals

Part Number List-

| Bolt Size | Lear T&C Part Number | Lear SEM Part Number | Wire Size Range (mm ²) | Dim A (mm) | Dim B (mm) | Dim L (mm) | Material Thickness (mm) | Material | Surface | Bended | Torque (Nm) | Type | Coding |
|-----------|----------------------|----------------------|------------------------------------|------------|------------|------------|-------------------------|----------|---------|--------|-------------|------|--------|
| M5 | 26745212179 | 320151681 | 6.0-10.0 | 5.2 | 12.5 | 27 | 0.8 | Bronze | Sn | 0° | 4.5 | D | none |
| M5 | 28009122179 | E02634200 | 6.0-10.0 | 5.2 | 12.5 | 27 | 0.8 | Bronze | Sn | 0° | 4.5 | D | none |

| | | | |
|--|--|---|---|
| | | <p><i>Dimensional Characteristics</i></p> | <p><i>Dimensional Characteristics</i></p> |
| <p><i>Dimensional Charac</i></p> <p>Type A, Coding: none</p> | <p><i>Dimensional Charact</i></p> <p>Type B, Coding: none</p> | <p><i>Dimensional Charact</i></p> <p>Type C, Coding: none</p> | <p><i>Dimensional Charac</i></p> <p>Type C, Coding: V</p> |
| <p><i>Dimensional Charac</i></p> <p>Type D, Coding: none</p> | <p><i>Dimensional Characte</i></p> <p>Type E, Coding: none</p> | <p><i>Dimensional Charact</i></p> <p>Type E, Coding: L</p> | <p><i>Dimensional Characte</i></p> <p>Type E, Coding: R</p> |

Ring Terminals



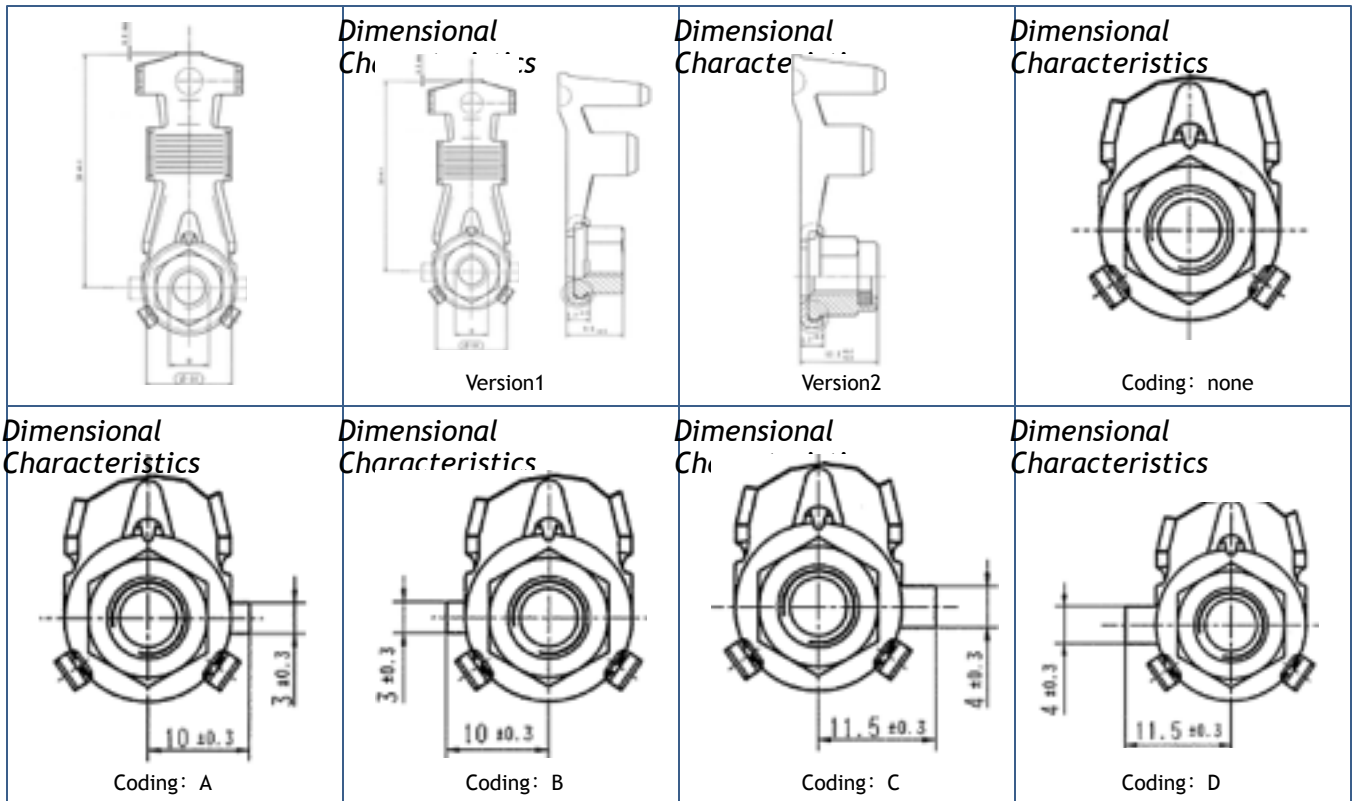
Part Number List-

| Bolt Size | Lear T&C Part Number | Lear SEM Part Number | Wire Size Range (mm ²) | Dim A (mm) | Dim B (mm) | Dim L (m) | Material Thickness (mm) | Material | Surface | Bended | Torque (Nm) | Type | Coding |
|-----------|----------------------|----------------------|------------------------------------|------------|------------|-----------|-------------------------|----------|---------|--------|-------------|------|--------|
| M6 | 28072212179 | 320151F30 | 0.75-1.5 | 6.2 | 12.0 | 21.7 | 0.8 | Bronze | Sn | 0° | 6 | A | none |
| M6 | 28075122179 | 3201501G0 | 0.75-1.5 | 6.2 | 12.0 | 21.7 | 0.8 | Brass | Sn | 0° | 6 | A | none |
| M6 | 28254122179 | E02593100 | 0.75-1.5 | 6.2 | 12.0 | 21.7 | 0.8 | Brass | Sn | 0° | 6 | F | none |
| M6 | 28256122179 | E02593200 | 0.75-1.5 | 6.2 | 12.0 | 21.7 | 0.8 | Brass | Sn | 0° | 6 | A | none |
| M6 | 26738122179 | 3202557L0 | 1.5-2.5 | 6.2 | 12.0 | 21.7 | 0.8 | Brass | Sn | 0° | 6 | B | none |
| M6 | 26747122179 | E00302100 | 1.5-2.5 | 6.2 | 12.0 | 21.7 | 0.8 | Brass | Sn | 0° | 6 | B | none |
| M6 | 28071212179 | 3202540S2 | 1.5-2.5 | 6.2 | 12.0 | 21.7 | 0.8 | Bronze | Sn | 0° | 6 | B | none |
| M6 | 26123212178 | 320270333 | 2.5-4.0 | 6.2 | 12.5 | 22.0 | 0.8 | Bronze | Sn2+2 | 0° | 6 | C | V |
| M6 | 26328122009 | E02592900 | 2.5-4.0 | 6.2 | 12.5 | 22.0 | 0.8 | Brass | Blank | 0° | 6 | C | none |
| M6 | 26328212179 | 3201500C0 | 2.5-4.0 | 6.2 | 12.5 | 22.0 | 0.8 | Bronze | Sn | 0° | 6 | C | none |
| M6 | 28518212179 | 320151CZ3 | 2.5-4.0 | 6.2 | 12.5 | 22.0 | 0.8 | Bronze | Sn | 0° | 6 | C | none |
| M6 | 26722122179 | 320151772 | 4.0-6.0 | 6.2 | 12.0 | 21.7 | 0.8 | Brass | Sn | 0° | 6 | D | none |
| M6 | 26739122179 | 3202531N6 | 4.0-6.0 | 6.2 | 12.0 | 21.7 | 0.8 | Brass | Sn | 0° | 6 | D | none |
| M6 | 26717122009 | E02592800 | 6.0-10.0 | 6.2 | 12.5 | 27.0 | 1.0 | Brass | Blank | 0° | 6 | E | L+R |
| M6 | 26717122179 | 320272495 | 6.0-10.0 | 6.2 | 12.5 | 27.0 | 1.0 | Brass | Sn | 0° | 6 | E | L+R |
| M6 | 26721122009 | E02592700 | 6.0-10.0 | 6.2 | 12.5 | 27.0 | 1.0 | Brass | Blank | 0° | 6 | E | none |
| M6 | 26721122179 | 3202540T0 | 6.0-10.0 | 6.2 | 12.5 | 27.0 | 1.0 | Brass | Sn | 0° | 6 | E | none |
| M6 | 26721212179 | E02592600 | 6.0-10.0 | 6.2 | 12.5 | 27.0 | 1.0 | Bronze | Sn | 0° | 6 | E | none |
| M6 | 26741000001 | E02261000 | 6.0-10.0 | 6.2 | 12.5 | 27.0 | 1.0 | --- | Blank | 0° | 6 | E | none |

Ring Terminals

Part Number List-

| Bolt Size | Lear T&C Part Number | Lear SEM Part Number | Wire Size Range (mm ²) | Dim A (mm) | Dim B (mm) | Dim L (mm) | Material Thickness (mm) | Material | Surface | Bended | Torque (Nm) | Type | Coding |
|-----------|----------------------|----------------------|------------------------------------|------------|------------|------------|-------------------------|----------|---------|--------|-------------|------|--------|
| M6 | 26741122179 | 3202557U8 | 6.0-10.0 | 6.2 | 12.5 | 27.0 | 1.0 | Brass | Sn | 0° | 6 | E | none |
| M6 | 26754000001 | E02261300 | 6.0-10.0 | 6.2 | 12.5 | 26.0 | 1.0 | --- | Blank | 0° | 6 | G | L |
| M6 | 26754122179 | 320272487 | 6.0-10.0 | 6.2 | 12.5 | 27.0 | 1.0 | Brass | Sn | 0° | 6 | E | L |
| M6 | 26755000001 | E02261400 | 6.0-10.0 | 6.2 | 12.5 | 26.0 | 1.0 | --- | Blank | 0° | 6 | G | R |
| M6 | 26755122179 | E02592500 | 6.0-10.0 | 6.2 | 12.5 | 27.0 | 1.0 | Brass | Sn | 0° | 6 | E | R |
| M6 | 28516122179 | 320151F05 | 6.0-10.0 | 6.2 | 12.5 | 27.0 | 1.0 | Brass | Sn | 0° | 6 | E | none |



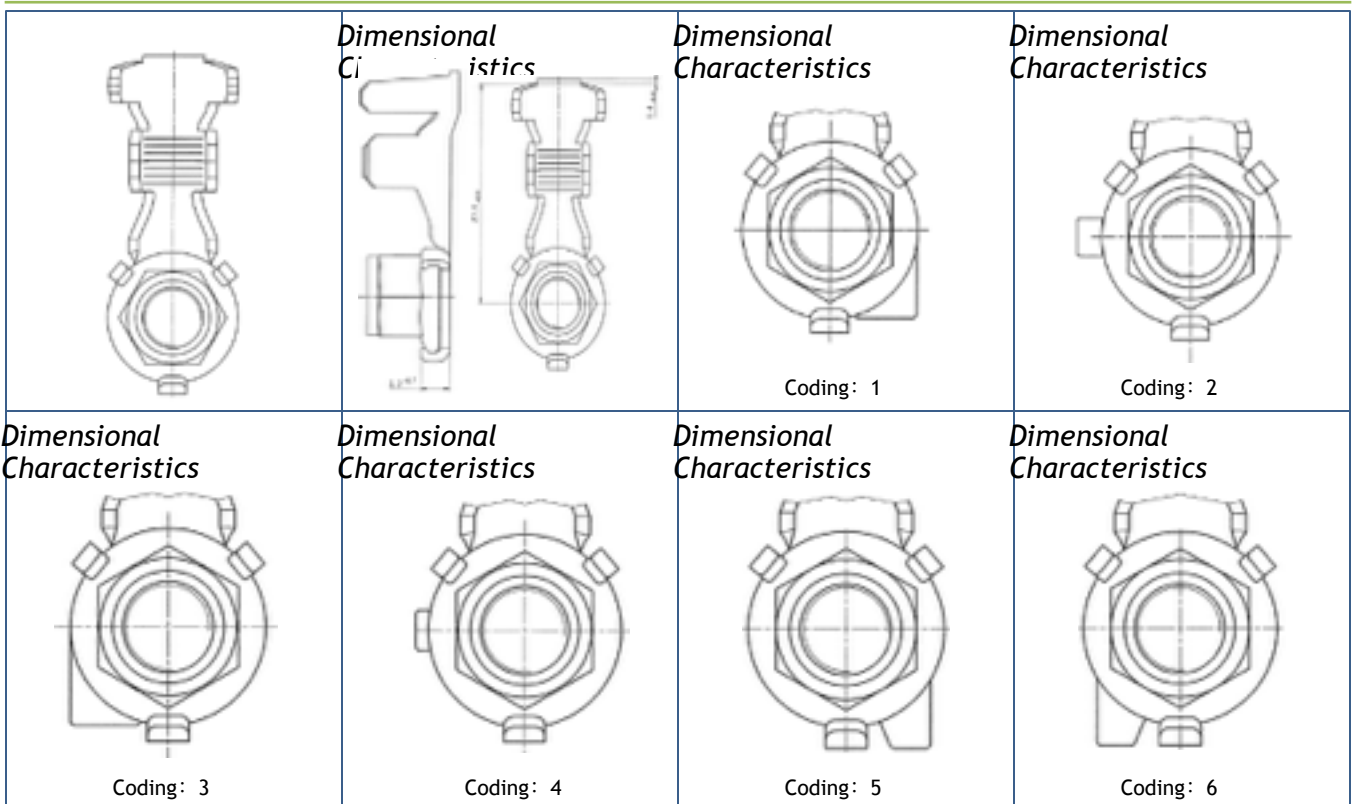
Part Number List-

| Bolt Size | Lear T&C Part Number | Lear SEM Part Number | Wire Size Range (mm ²) | Dim A (mm) | Dim B (mm) | Dim L (mm) | Material Thickness (mm) | Material | Surface | Bended | Version | Coding |
|-----------|----------------------|----------------------|------------------------------------|------------|------------|------------|-------------------------|----------|---------|--------|---------|--------|
| M6 | 28018122179 | 320151178 | 16-25 | --- | --- | 34 | 1.2 | Brass | Sn | 0° | 1 | none |
| M6 | 28018000001 | E02247100 | 16-25 | --- | --- | 34 | 1.2 | --- | Blank | 0° | 1 | none |


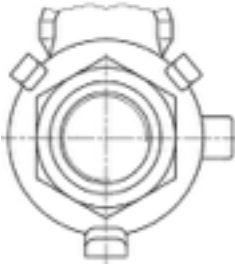

Ring Terminals

Part Number List-

| Bolt Size | Lear T&C Part Number | Lear SEM Part Number | Wire Size Range (mm ²) | Dim A (mm) | Dim B (mm) | Dim L (mm) | Material Thickness (mm) | Material | Surface | Bended | Version | Coding |
|-----------|----------------------|----------------------|------------------------------------|------------|------------|------------|-------------------------|----------|---------|--------|---------|--------|
| M6 | 28060122179 | 320151FML | 25-35 | --- | --- | 34 | 1.2 | Brass | Sn | 0° | 1 | none |
| M8 | 28024122179 | 320151FBF | 16-25 | --- | 15.3 | 34 | 1.2 | Brass | Sn | 0° | 1 | none |
| M8 | 28024201178 | 320151FMP | 16-25 | --- | 15.3 | 34 | 1.2 | Bronze | Sn2+2 | 0° | 1 | none |
| M8 | 28121306179 | 320151FM2 | 16-25 | --- | 15.3 | 34 | 1.2 | CuCrTiSi | Sn | 0° | 2 | none |
| M8 | 28121122179 | 3201511Z4 | 16-25 | --- | 15.3 | 34 | 1.2 | Brass | Sn | 0° | 2 | none |
| M8 | 28169122179 | 320151251 | 16-25 | --- | 15.3 | 34 | 1.2 | Brass | Sn | 0° | 2 | A |
| M8 | 28042122179 | 320151FMJ | 25-35 | --- | 15.3 | 34 | 1.2 | Brass | Sn | 0° | 1 | none |
| M8 | 28042201178 | 3202603U2 | 25-35 | --- | 15.3 | 34 | 1.2 | Bronze | Sn2+2 | 0° | 1 | none |
| M8 | 28042000001 | E02247200 | 25-35 | --- | 15.3 | 34 | 1.2 | --- | Blank | 0° | 1 | none |
| M8 | 28122122179 | 3201517F4 | 25-35 | --- | 15.3 | 34 | 1.2 | Brass | Sn | 0° | 2 | none |
| M8 | 28195122179 | 320151F7Y | 25-35 | --- | 15.3 | 34 | 1.2 | Brass | Sn | 0° | 2 | B |
| M8 | 28281122179 | 3201512F9 | 25-35 | --- | 15.3 | 34 | 1.2 | Brass | Sn | 0° | 2 | C |
| M8 | 28282122179 | 3201512G7 | 25-35 | --- | 15.3 | 34 | 1.2 | Brass | Sn | 0° | 2 | D |



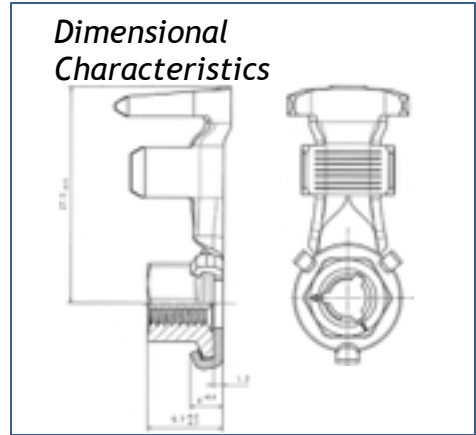
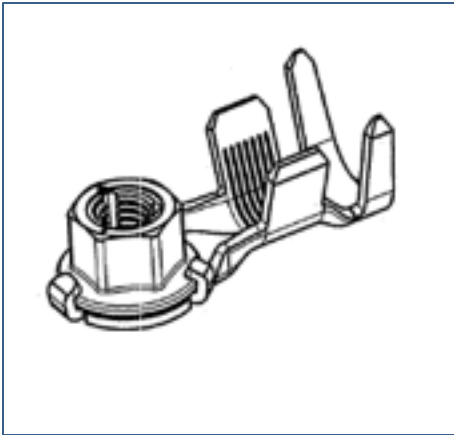
Ring Terminals

| | | | |
|--|---|---|--|
| <p><i>Dimensional Characteristics</i></p>  <p>Coding: 8</p> | <p><i>Dimensional Characteristics</i></p>  <p>Coding: 12</p> | <p><i>Dimensional Characteristics</i></p>  <p>Coding: 13</p> | |
|--|---|---|--|

Part Number List-

| Bolt Size | Lear T&C Part Number | Lear SEM Part Number | Wire Size Range (mm ²) | Dim A (mm) | Dim B (mm) | Dim L (mm) | Material Thickness (mm) | Material | Surface | Bended | Torque (Nm) | Coding |
|-----------|----------------------|----------------------|------------------------------------|------------|------------|------------|-------------------------|----------|---------|--------|-------------|--------|
| M6 | 28120122179 | 3201511Y6 | 10-16 | --- | 14.2 | 27.5 | 1.2 | Brass | Sn | 0° | 8±1.2 | none |
| M6 | 28140122179 | 320151236 | 10-16 | --- | 14.2 | 27.5 | 1.2 | Brass | Sn | 0° | 8±1.2 | 1 |
| M6 | 28358122179 | 3201512N1 | 10-16 | --- | 14.2 | 27.5 | 1.2 | Brass | Sn | 0° | 8±1.2 | 2 |
| M6 | 28118122179 | 320151210 | 10-16 | --- | 14.2 | 27.5 | 1.2 | Brass | Sn | 0° | 8±1.2 | 3 |
| M6 | 28119122179 | 320151228 | 10-16 | --- | 14.2 | 27.5 | 1.2 | Brass | Sn | 0° | 8±1.2 | 4 |
| M6 | 28429122179 | 3201512Q5 | 10-16 | --- | 14.2 | 27.5 | 1.2 | Brass | Sn | 0° | 8±1.2 | 5 |
| M6 | 28175122179 | 3201512A0 | 10-16 | --- | 14.2 | 27.5 | 1.2 | Brass | Sn | 0° | 8±1.2 | 6 |
| M6 | 28173122179 | 320151293 | 10-16 | --- | 14.2 | 27.5 | 1.2 | Brass | Sn | 0° | 8±1.2 | 8 |
| M6 | 28510122179 | 320151F29 | 10-16 | --- | 14.2 | 27.5 | 1.2 | Brass | Sn | 0° | 8±1.2 | 12 |
| M6 | 28511122179 | 320151F2Y | 10-16 | --- | 14.2 | 27.5 | 1.2 | Brass | Sn | 0° | 8±1.2 | 13 |

Ring Terminals



Part Number List-

| Bolt Size | Lear T&C Part Number | Lear SEM Part Number | Wire Size Range (mm ²) | Dim A (mm) | Dim B (mm) | Dim L (mm) | Material Thickness(mm) | Material | Surface | Bended | Torque (Nm) |
|-----------|----------------------|----------------------|------------------------------------|------------|------------|------------|------------------------|----------|---------|--------|-------------|
| M6 | 2873900001 | E00020597 | 16-25 | 6.5 | 14.3 | 27.5 | 1.2 | --- | Blank | 0° | 10±1 |

| | | | |
|---|--|--|--|
| | <p><i>Dimensional Characteristics</i></p> | <p><i>Dimensional Characteristics</i></p> <p>Coding: 1</p> | <p><i>Dimensional Characteristics</i></p> <p>Coding: 4</p> |
| <p><i>Dimensional Characteristics</i></p> <p>Coding: none</p> | <p><i>Dimensional Characteristics</i></p> <p>Coding: 3</p> | <p><i>Dimensional Characteristics</i></p> <p>Coding: 4</p> | |

Ring Terminals

Part Number List-

| Bolt Size | Lear T&C Part Number | Lear SEM Part Number | Wire Size Range (mm ²) | Dim A (mm) | Dim B (mm) | Dim L (mm) | Material Thickness (mm) | Material | Surface | Bended | Torque (Nm) | Coding |
|-----------|----------------------|----------------------|------------------------------------|------------|------------|------------|-------------------------|----------|---------|--------|-------------|--------|
| M6 | 28117122179 | 320151202 | 6-10 | 6.5 | 14.2 | 27.5 | 1.2 | Brass | Sn | 0° | 8±1.2 | 1 |
| M6 | 28179122179 | 320151277 | 6-10 | 6.5 | 14.2 | 27.5 | 1.2 | Brass | Sn | 0° | 8±1.2 | 4 |
| M6 | 28171122179 | 320151285 | 16-25 | 6.5 | 14.2 | 27.5 | 1.2 | Brass | Sn | 0° | 8±1.2 | none |
| M6 | 28124122179 | 3201511X8 | 16-25 | 6.5 | 14.2 | 27.5 | 1.2 | Brass | Sn | 0° | 8±1.2 | 3 |
| M6 | 28755000001 | E00027076 | 16-25 | 6.5 | 14.3 | 27.5 | 1.2 | --- | Blank | 0° | 8±1 | 4 |

| | | | |
|--|--|--|--|
| | <p><i>Dimensional Characteristics</i></p> <p>Version: 1A</p> | <p><i>Dimensional Characteristics</i></p> <p>Version: 1B</p> | <p><i>Dimensional Characteristics</i></p> <p>Version: 1C</p> |
| <p><i>Dimensional Characteristics</i></p> <p>Version: 1D</p> | <p><i>Dimensional Characteristics</i></p> <p>Version: 1E</p> | <p><i>Dimensional Characteristics</i></p> <p>Version: 2A</p> | <p><i>Dimensional Characteristics</i></p> <p>Version: 2B</p> |
| <p><i>Dimensional Characteristics</i></p> <p>Version: 2C</p> | <p><i>Dimensional Characteristics</i></p> <p>Version: 2D</p> | <p><i>Dimensional Characteristics</i></p> <p>Version: 2E</p> | <p><i>Dimensional Characteristics</i></p> <p>Version: 2F</p> |

Ring Terminals

Part Number List-

| Bolt Size | Lear T&C Part Number | Lear SEM Part Number | Wire Size Range (mm ²) | Dim D1 (mm) | Dim B (mm) | Dim L (mm) | Material Thickness (mm) | Material | Surface | Bended | Version | View Hole |
|-----------|----------------------|----------------------|------------------------------------|-------------|------------|------------|-------------------------|----------|---------|--------|---------|-----------|
| M4 | 03261326011 | 3201508W5 | 2.5 | 4.3 | 7.5 | 13 | 1.2 | E-Cu | Sn3 | 0 | 2B | with |
| M5 | 3201508X303 | 262326011 | 1.5 | 5.3 | 7.5 | 14 | 0.8 | --- | --- | 0 | 2B | with |
| M6 | 03273327011 | 3201508Y1 | 16 | 6.5 | 12.0 | 27 | 2.3 | E-Cu | Sn3 | 0 | 2A | with |
| M8 | 03276327011 | 3201508Z9 | 10 | 8.5 | 14.0 | 27 | 1.5 | E-Cu | Sn3 | 0 | 2A | with |
| M8 | 03275327011 | 3201509A5 | 16 | 8.5 | 16.0 | 29 | 1.6 | E-Cu | Sn3 | 0 | 2A | with |
| M8 | 03274327011 | 320151079 | 25 | 8.5 | 16.0 | 32 | 2.3 | E-Cu | Sn3 | 0 | 2A | with |
| M8 | 03297325011 | 3201509B3 | 35 | 8.5 | 18.0 | 37 | 3.1 | SE-Cu | Sn3 | 0 | 2A | with |
| M8 | 03277327011 | 320151087 | 25 | 8.5 | 16.0 | --- | 2.3 | E-Cu | Sn3 | 45 | 2C | with |
| M10 | 03259325011 | 3201509C1 | 70 | 10.5 | 23.7 | --- | 4.6 | SE-Cu | Sn3 | 45 | 2D | with |
| M12 | 03260325011 | 3201509D9 | 70 | 13.0 | 23.7 | --- | 4.6 | SE-Cu | Sn3 | 45 | 2D | with |
| M6 | 03280327011 | 320151095 | 16 | 6.5 | 12.0 | --- | 2.3 | E-Cu | Sn3 | 45 | 2D | with |
| M8 | 03298325011 | 3201509F4 | 35 | 8.5 | 18.0 | --- | 3.1 | SE-Cu | Sn3 | 90 | 2E | with |
| M10 | 03246325011 | 3201509G2 | 35 | 10.5 | 18.0 | --- | 3.1 | SE-Cu | Sn3 | 90 | 2E | with |
| M10 | 03299325011 | 3201509H0 | 50 | 10.5 | 20.0 | --- | 4.0 | SE-Cu | Sn3 | 90 | 2F | with |
| M6 | 03231327011 | 320150535 | 2.5 | 6.5 | 9.5 | 16 | 0.9 | E-Cu | Sn3 | 0 | 1B | without |
| M6 | 03040325011 | 3201515D1 | 2.5 | 6.5 | 9.5 | 21.5 | 0.9 | SE-Cu | Sn3 | 0 | 1B | without |
| M6 | 03029325011 | 320150527 | 4 | 6.5 | 10.0 | 20.5 | 1.2 | SE-Cu | Sn3 | 0 | 1B | without |
| M6 | 03041325011 | 3201517C1 | 4 | 6.5 | 10.0 | 24.5 | 1.2 | SE-Cu | Sn3 | 0 | 1B | without |
| M6 | 03295327011 | 3201505A9 | 6 | 6.5 | 10.0 | 19 | 1.5 | E-Cu | Sn3 | 0 | 1B | without |
| M6 | 03042325011 | 3201517G2 | 6 | 6.5 | 10.0 | 24.5 | 1.5 | SE-Cu | Sn3 | 0 | 1B | without |
| M6 | 03296327011 | 3201504Y5 | 10 | 6.5 | 12.0 | 22 | 1.9 | E-Cu | Sn3 | 0 | 1B | without |
| M6 | 03201327011 | 3201509R8 | 10 | 6.5 | 17.0 | 27 | 1.2 | E-Cu | Sn3 | 0 | 1B | without |
| M6 | 03263327011 | 3201509J5 | 16 | 6.5 | 12.0 | 27 | 2.8 | E-Cu | Sn3 | 0 | 1B | without |
| M8 | 03202327011 | 320151FKX | 10 | 8.5 | 17.0 | 27 | 1.2 | E-Cu | Sn3 | 0 | 1B | without |
| M8 | 03264327011 | 3201509K3 | 25 | 8.5 | 16.0 | 32 | 2.5 | E-Cu | Sn3 | 0 | 1B | without |
| M5 | 03043000001 | 320151FNL | 10 | 5.3 | 12.0 | 22 | 1.8 | --- | Blank | 0 | 1A | without |
| M10 | 03292325011 | 3201509L1 | 35 | 10.5 | 19.0 | 37 | 3.0 | SE-Cu | Sn3 | 0 | 1A | without |
| M10 | 03290325011 | 320151004 | 50 | 10.5 | 21.0 | 39 | 4.0 | SE-Cu | Sn3 | 0 | 1A | without |
| M10 | 03257325011 | 320151012 | 70 | 10.5 | 23.7 | 44 | 4.6 | SE-Cu | Sn3 | 0 | 1A | without |

Ring Terminals

Part Number List-

| Bolt Size | Lear T&C Part Number | Lear SEM Part Number | Wire Size Range (mm ²) | Dim D1 (mm) | Dim B (mm) | Dim L (mm) | Material Thickness (mm) | Material | Surface | Bended | Version | View Hole |
|-----------|----------------------|----------------------|------------------------------------|-------------|------------|------------|-------------------------|----------|---------|--------|---------|-----------|
| M12 | 03256325011 | 320151020 | 70 | 13.0 | 23.7 | 49 | 4.6 | SE-Cu | Sn3 | 0 | 1A | without |
| M8 | 03269325011 | E01882800 | 35 | 8.5 | 18.0 | --- | 3.1 | SE-Cu | Sn3 | 45 | 1C | without |
| M10 | 03258325011 | 3201509M9 | 70 | 10.5 | 23.7 | --- | 4.6 | SE-Cu | Sn3 | 45 | 1C | without |
| M5 | 03030325011 | 3201505N0 | 6 | 5.5 | 10.0 | --- | 2.2 | SE-Cu | Sn3 | 90 | 1E | without |
| M5 | 03031325011 | 3201505P6 | 10 | 5.5 | 12.0 | --- | 1.9 | SE-Cu | Sn3 | 90 | 1E | without |
| M6 | 03044000001 | E06504300 | 16 | 6.3 | 12.0 | --- | 2.3 | --- | Blank | 90 | 1E | without |
| M8 | 03279327011 | 3201504Q4 | 6 | 8.5 | 14.0 | --- | 1.4 | E-Cu | Sn3 | 90 | 1E | without |
| M8 | 03032325011 | 3201505S7 | 25 | 8.5 | 16.0 | --- | 2.5 | SE-Cu | Sn3 | 90 | 1E | without |
| M8 | 03038325011 | 3201509N6 | 10 | 8.5 | 16.0 | --- | 1.6 | SE-Cu | Sn3 | 90 | 1D | without |
| M8 | 03278327011 | 3201505R2 | 16 | 8.5 | 16.0 | --- | 2.3 | SE-Cu | Sn3 | 90 | 1D | without |
| M10 | 03293325011 | 3201509P2 | 35 | 10.5 | 19.0 | --- | 3.0 | SE-Cu | Sn3 | 90 | 1D | without |
| M10 | 03291325011 | 320151038 | 50 | 10.5 | 21.0 | --- | 4.0 | SE-Cu | Sn3 | 90 | 1D | without |
| M10 | 03255325011 | 320151053 | 70 | 10.5 | 23.7 | --- | 4.6 | SE-Cu | Sn3 | 90 | 1D | without |
| M10 | 03268325011 | 320151061 | 70 | 10.5 | 23.7 | --- | 4.6 | SE-Cu | Sn3 | 90 | 1D | without |
| M10 | 03039325011 | 320151046 | 70 | 10.5 | 25.0 | --- | 3.9 | SE-Cu | Sn3 | 90 | 1D | without |
| M12 | 03254325011 | E01883700 | 70 | 13.0 | 23.7 | --- | 4.6 | SE-Cu | Sn3 | 90 | 1D | without |